

**SR610 (A512)**

## PARTS CATALOG

### INTRODUCTION

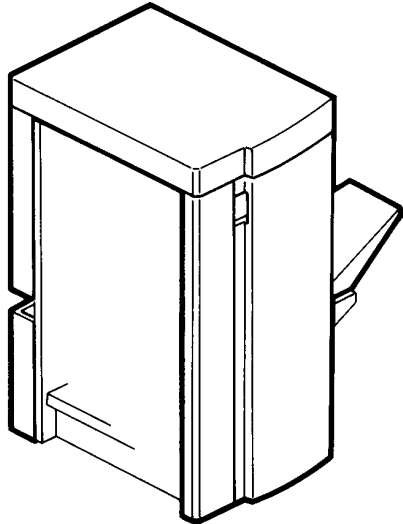
This chapter instructs you the numbers and names of parts on this machine.

### INDEX to PARTS CATALOG

<b>LOCATION OF UNIT .....</b>	<b>3</b>
1.EXTERIOR (A512) .....	6
2.UPPER PAPER FEED (A512).....	8
3.LOWER PAPER FEED (A512).....	10
4.REGISTRATION SECTION (A512).....	12
5.TRANSPORT SECTION (A512).....	14
6.STAPLE UNIT (A512).....	16
7.PAPER EXTI SECTION (A512).....	18
8.EXIT TRAY 1 (A512) .....	20
9.EXIT TRAY 2 (A512) .....	22
10.ELECTRICAL SECTION (A512).....	24
11.INVERTER SECTION 1 (A512).....	26
12.INVERTER SECTION 2 (A512).....	28
13.INVERTER SECTION 3 (A512).....	30
14.INVERTER ELECTRICAL (A512) .....	32
15.INVERTER FRAME SECTION (A512).....	34
16.DECAL AND DOCUMENT (A512) .....	36
17.ACCESSORIES (A512).....	38
<b>PARTS INDEX .....</b>	<b>41</b>

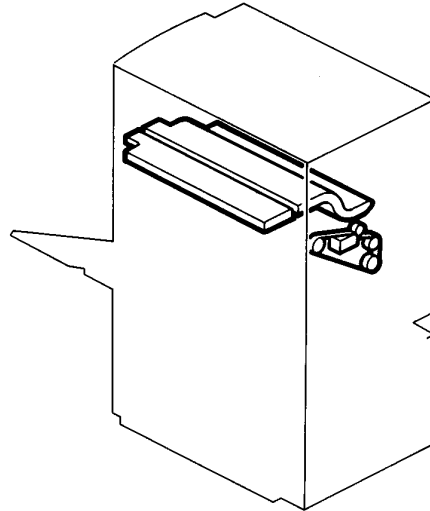
# LOCATION OF UNIT

1.EXTERIOR (A512)



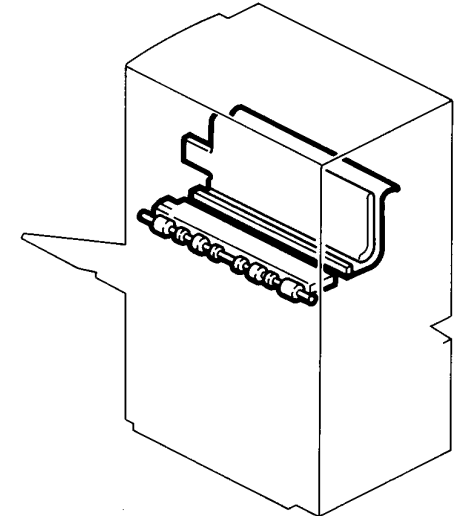
See Page 7

2.UPPER PAPER FEED (A512)



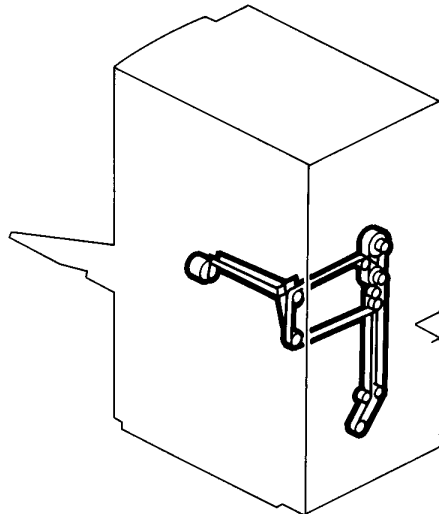
See Page 9

3.LOWER PAPER FEED (A512)



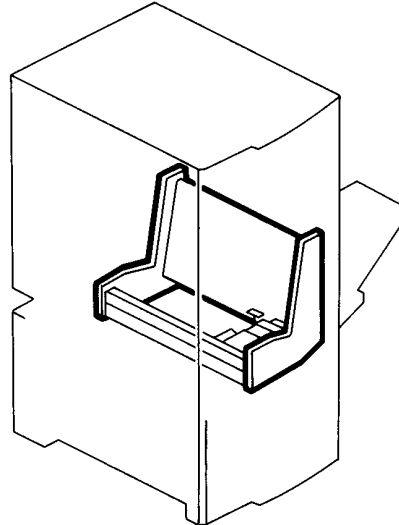
See Page 11

4.REGISTRATION SECTION (A512)



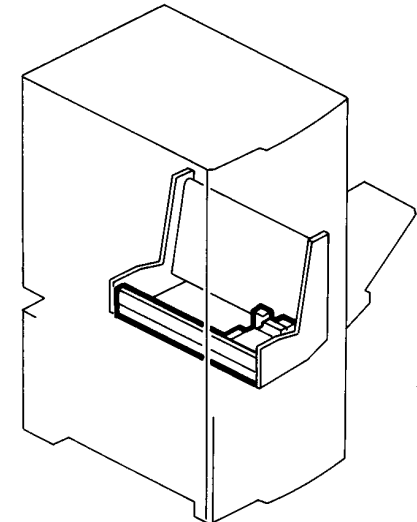
See Page 13

5.TRANSPORT SECTION (A512)



See Page 15

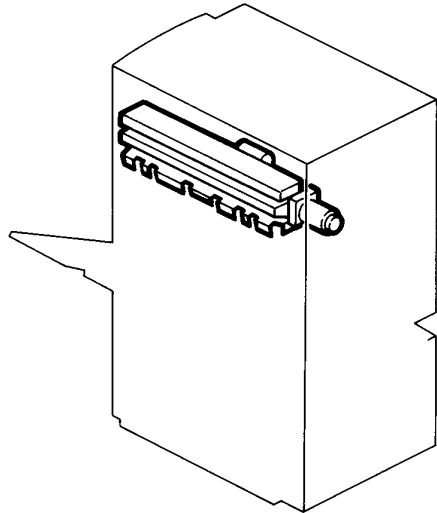
6.STAPLE UNIT (A512)



See Page 17

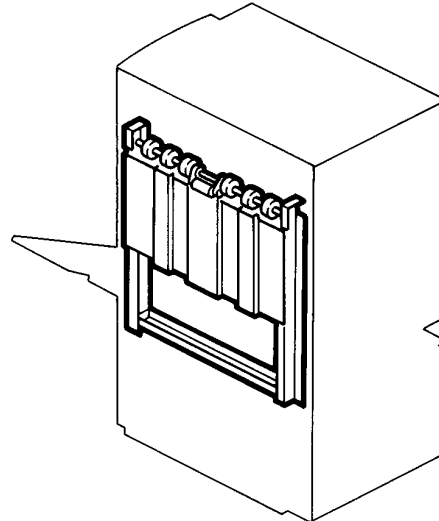
# LOCATION OF UNIT

7.PAPER EXTI SECTION (A512)



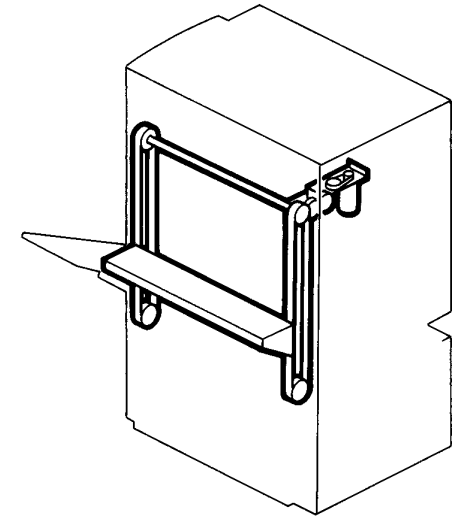
See Page 19

8.EXIT TRAY 1 (A512)



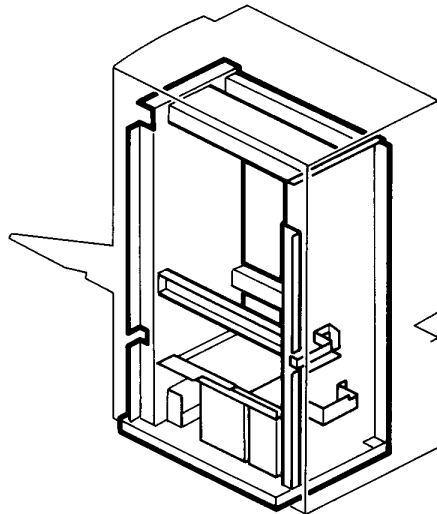
See Page 21

9.EXIT TRAY 2 (A512)



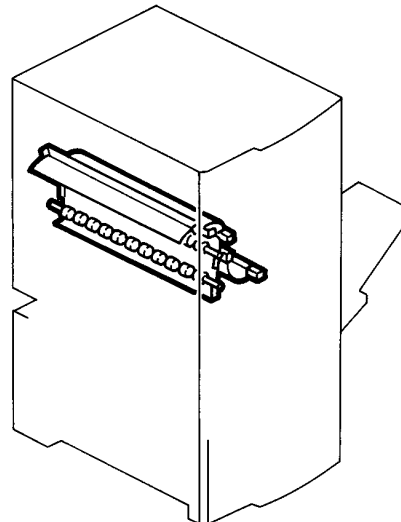
See Page 23

10.ELECTRICAL SECTION (A512)



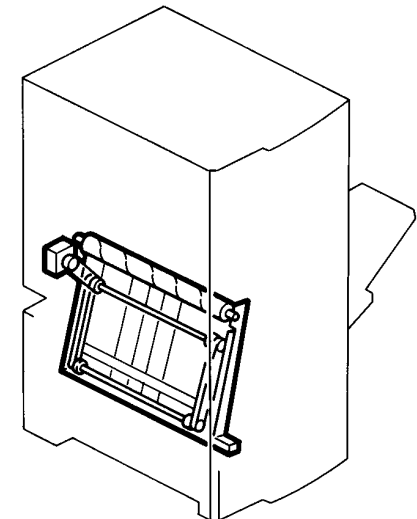
See Page 25

11.INVERTER SECTION 1 (A512)



See Page 27

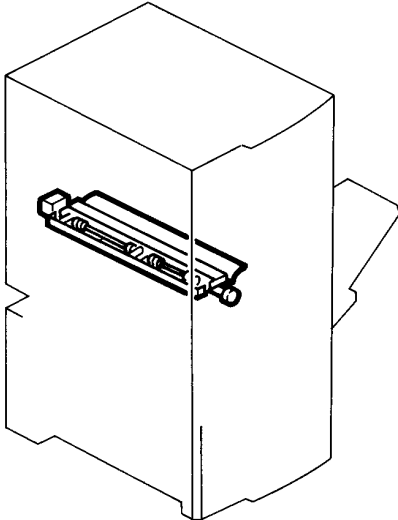
12.INVERTER SECTION 2 (A512)



See Page 29

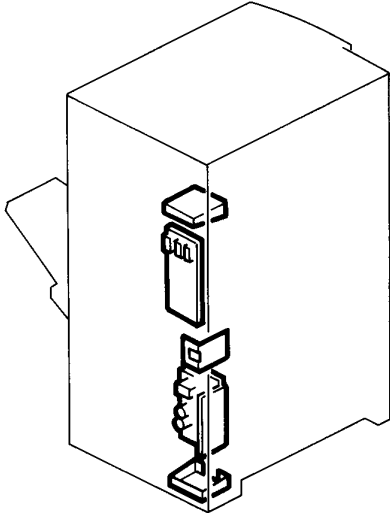
**LOCATION OF UNIT**

13.INVERTER SECTION 3 (A512)



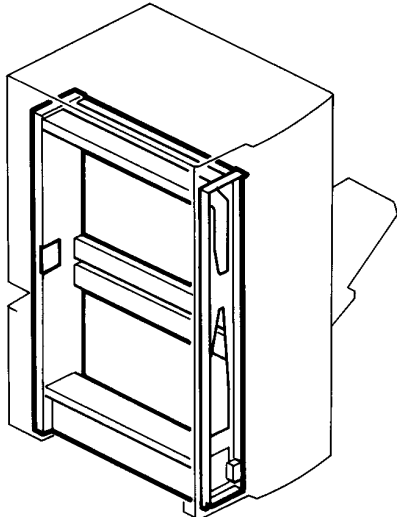
See Page 31

14.INVERTER ELECTRICAL (A512)



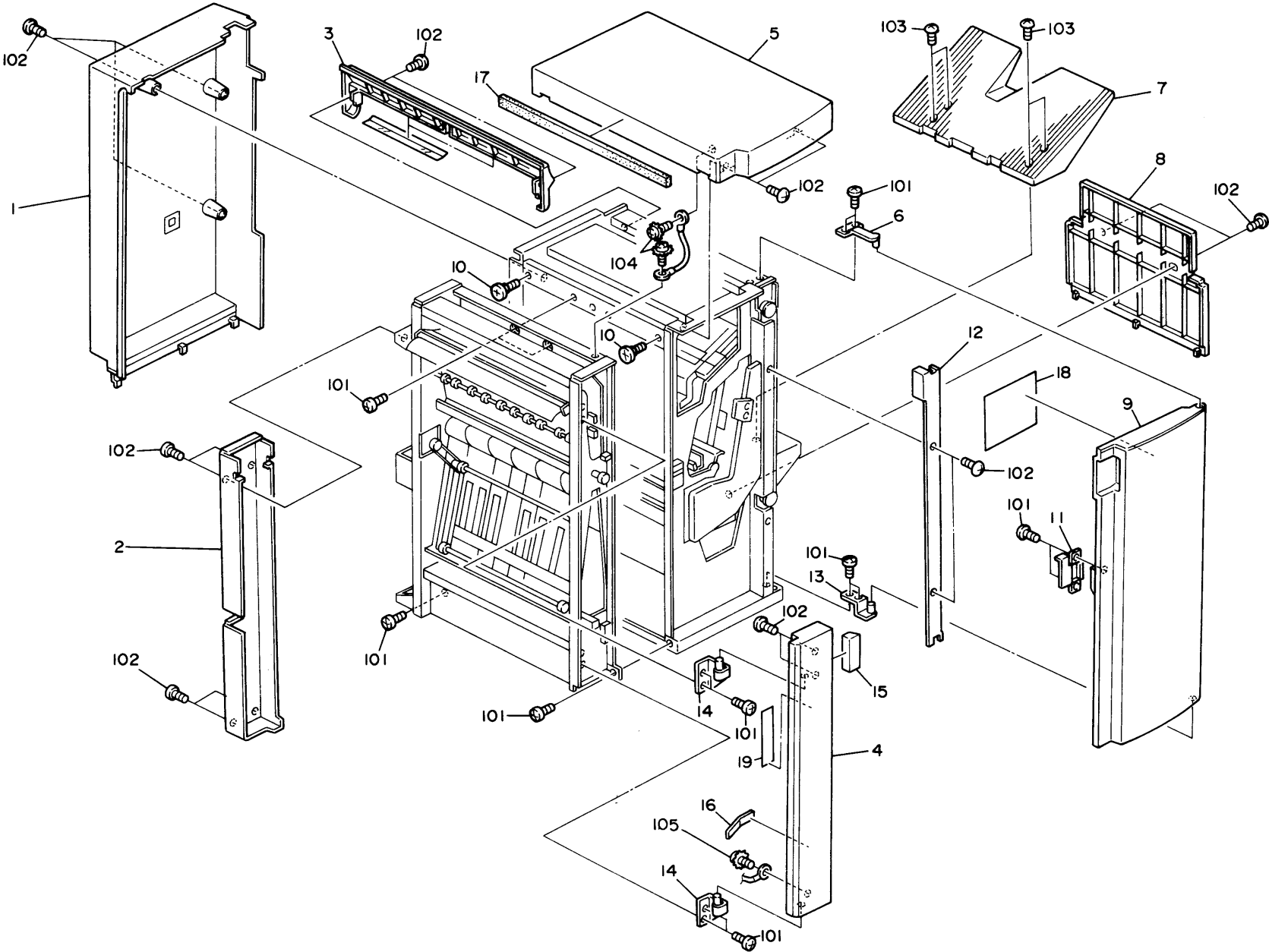
See Page 33

15.INVERTER FRAME SECTION (A512)



See Page 35

1.EXTERIOR (A512)

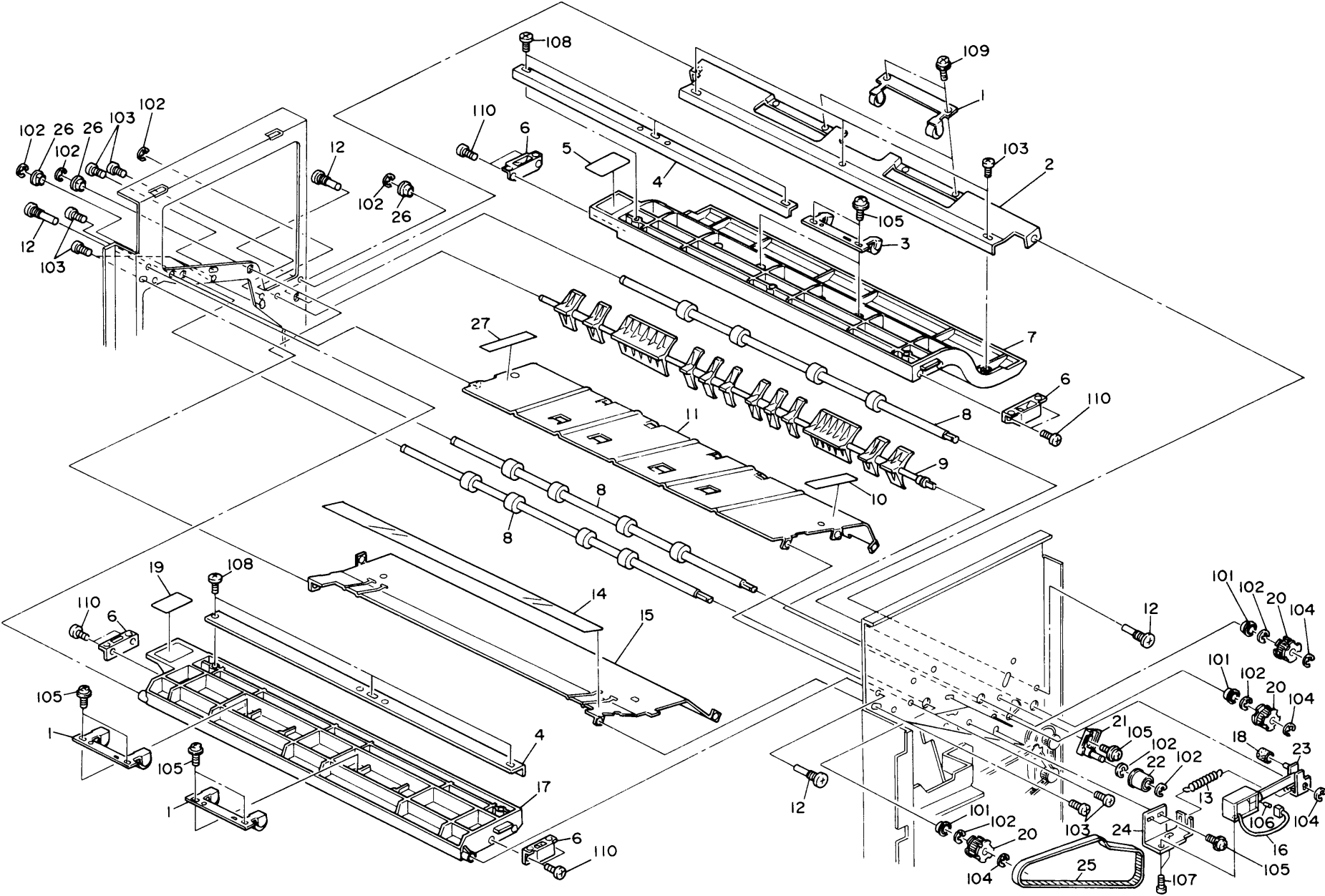


## 1.EXTERIOR (A512)

Index No.	Part No.	Description	Q'ty Per Assembly
1	A353 4245	Rear Cover	1
2	A512 4114	Rear Inverter Cover	1
3	A353 4225	Right Upper Cover	1
4	A512 4104	Front Inverter Cover	1
5	A512 4119	Upper Cover	1
6	A353 1171	Upper Door Bracket	1
7	A353 3245	Shift Tray	1
8	A353 4215	Right Lower Cover	1
9	A353 4265	Front Door	1
10	5403 2075	Stepped Screw	2
11	A353 4311	Safety Switch Actuator	1
12	A353 4235	Front Shift Cover	1
13	A353 1161	Lower Door Bracket	1
14	A512 1135	Hinge	2
15	A458 4148	Grip - Front Cover	1
16	A458 4146	Seal - 15x91x1mm	1
17	A461 6251	Cushion	1
18	A593 4917	Decal - Misfeed Removal	1
19	A512 4911	Decal - Inverter Misfeed	1

Index No.	Part No.	Description	Q'ty Per Assembly
101	0434 0060B	Pan Head Self Tapping Screw - M4x6	
102	0344 0060F	Philips Truss Head Screw - M4x6	
103	0951 4006B	Philips Screw With Washer - M4x6	
104	0344 0080F	Philips Truss Head Screw - M4x8	
105	0801 1185	Philips Truss Head Screw - M4x8	

# 2.UPPER PAPER FEED (A512)



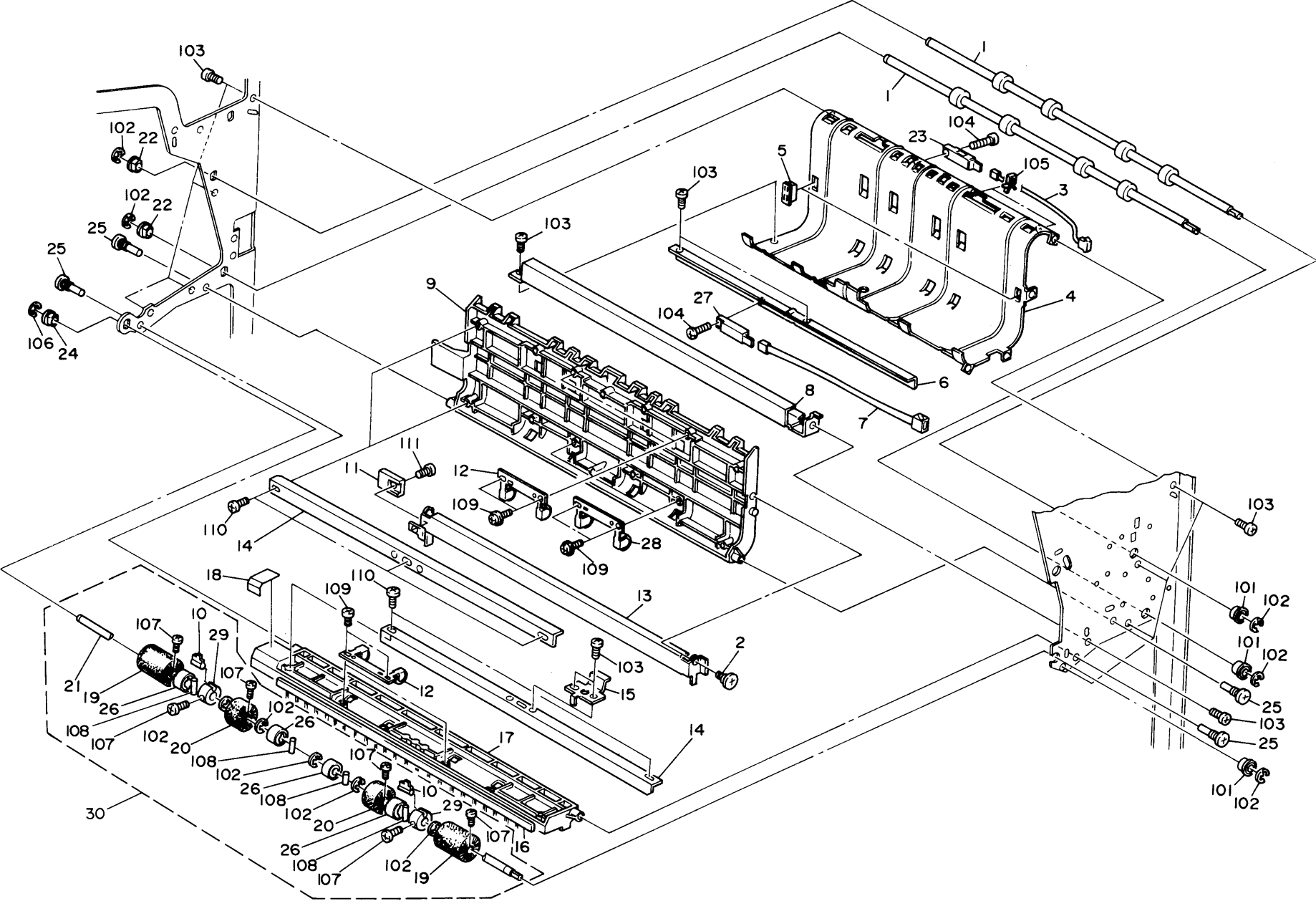


## 2.UPPER PAPER FEED (A512)

Index No.	Part No.	Description	Q'ty Per Assembly
1	A353 2301	Paper Guide Roller	4
2	A353 2262	Removal Guide Support Plate	1
3	A353 2321	Paper Guide Roller	2
4	A353 2244	Support Angle	1
5	A353 2265	Decal - R1	1
6	AG07 0004	Magnetic Catch	4
7	A353 2261	Upper Removal Guide - R1	1
8	A353 2101	Transport Roller	3
9	A353 2131	Junction Gate	1
10	A353 2224	Rear Seal	1
11	A353 2221	Upper Guide Plate	1
12	AA14 3215	Screw - M5X6	4
13	A353 2147	Junction Gate Spring	1
14	A353 2232	Paper Guide Sheet	1
15	A353 2231	Exit Turn Guide Plate	1
16	AX12 0027	Solenoid- DC 24V	1
17	A353 2271	Upper Removal Guide - R2	1
18	A458 2251	Cushion - Bin Solenoid Lever	1
19	A353 2275	Decal - R2	1
20	AB03 0374	Timing Pulley - 20Z	3
21	A353 1651	Lower Tightener	1
22	A458 3281	Idler Roller	1
23	A353 2141	Solenoid Lever	1
24	A353 2146	Solenoid Bracket	1
25	AA04 3058	Timing Belt - 588PX	1
26	5304 1639	Bushing - 8mm	3
27	A353 2223	Front Seat	1

Index No.	Part No.	Description	Q'ty Per Assembly
101	0742 3808	Ball Bearing - 8x16x5	
102	0720 0060E	Retaining Ring - M6	
103	0434 0060B	Pan Head Self Tapping Screw - M4x6	
104	0720 0040E	Retaining Ring - M4	
105	0951 4006B	Philips Screw With Washer - M4x6	
106	0622 0140E	Spring Hole Pin - 2x14mm	
107	0313 0040B	Philips Pan Head Screw - M3x4	
108	0414 0082B	Binding Self Tapping Screw - M4x8	
109	0314 0040B	Philips Pan Head Screw - M4x4	
110	0353 0050B	Philips Truss Head Screw - M3x5	

### 3.LOWER PAPER FEED (A512)

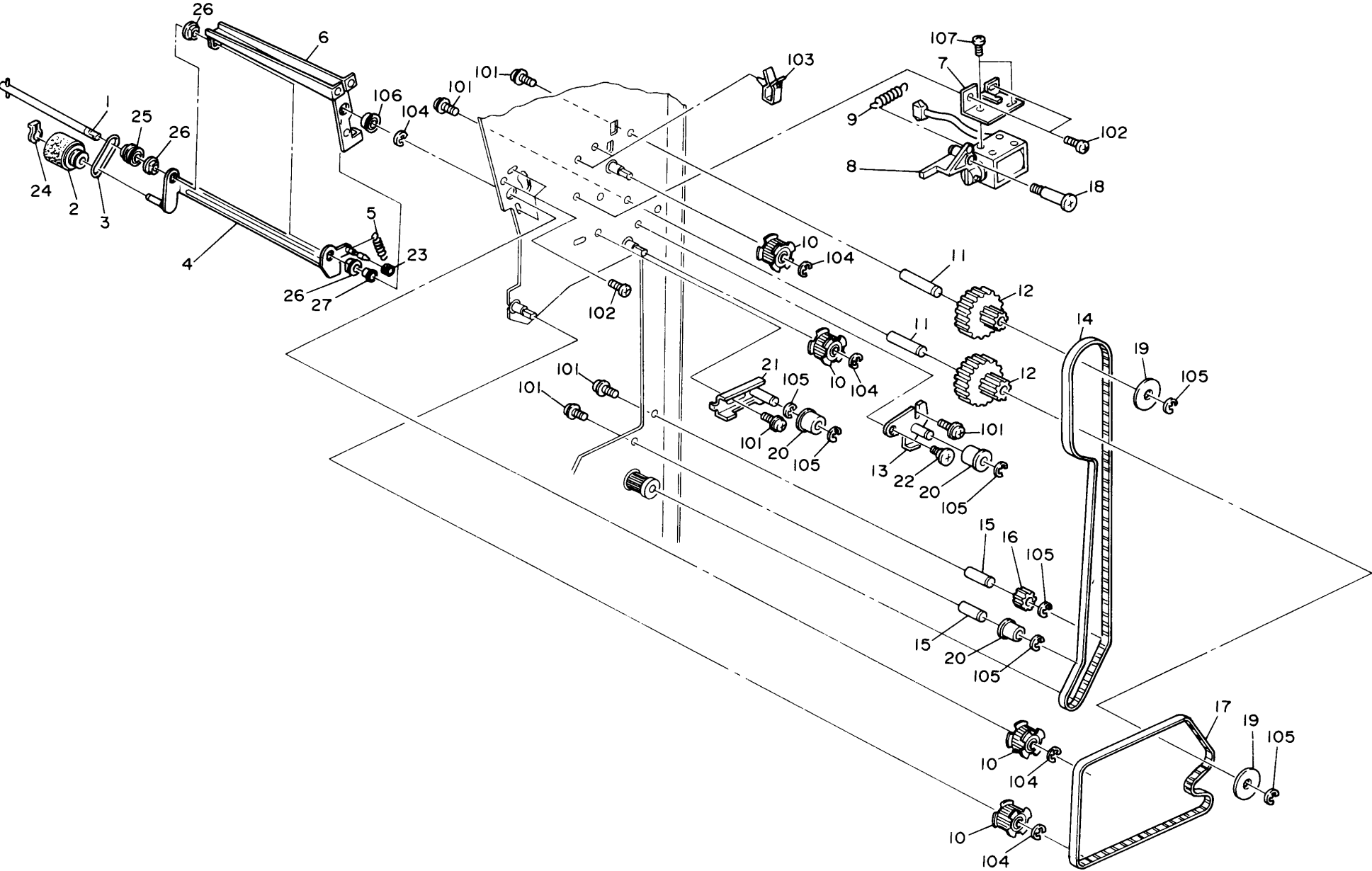


### 3.LOWER PAPER FEED (A512)

Index No.	Part No.	Description	Q'ty Per Assembly
1	A353 2101	Transport Roller	2
2	5403 2075	Stepped Screw	1
3	A353 5255	Relay Harness - S1	1
4	A353 2201	Lower Paper Guide Plate	1
5	A420 3699	Magnet Catch Ass'y	2
6	A353 2212	Sensor Bracket	1
7	A593 5256	Joger Sensor Harness	1
8	A353 2211	Middle Guide Plate	1
9	A353 2241	Lower Removal Guide - R3	1
10	A353 2116	Paddle	2
11	A353 2243	Lever Knob	1
12	A353 2301	Paper Guide Roller	4
13	A353 2242	Magnetic Release Lever	1
14	A353 2244	Support Angle	2
15	A353 2252	Pressure Spring Plate	1
16	A028 7479	Antistatic Brush	1
17	A353 2251	Exit Removal Guide - R4	1
18	A353 2255	Decal - R4	1
19	A353 2122	Alignment Brush Roller - Long	2
20	A353 2121	Alignment Brush Roller - Short	2
21	A353 2111	Exit Roller Shaft	1
22	5304 1639	Bushing - 8mm	2
23	A010 5700	Sensor	1
24	5053 0447	Bushing - 6mm	1
25	AA14 3215	Screw - M5X6	4
26	A353 2112	Exit Roller	4
27	AW01 0027	Photosensor - ON2530 CT	1
28	A353 2311	Paper Guide Roller	2
29	A353 2115	Paddle Roller	2
30	A353 2110	Brush Roller Ass'y	1

Index No.	Part No.	Description	Q'ty Per Assembly
101	0742 3808	Ball Bearing - 8x16x5	
102	0720 0060E	Retaining Ring - M6	
103	0434 0060B	Pan Head Self Tapping Screw - M4x6	
104	0313 0100B	Philips Pan Head Screw - M3x10	
105	1105 0283	Clamp	
106	0720 0040E	Retaining Ring - M4	
107	0313 0060B	Philips Pan Head Screw - M3x6	
108	0632 0120G	Parallel Pin - 2x12	
109	0951 4006B	Philips Screw With Washer - M4x6	
110	0414 0082B	Binding Self Tapping Screw - M4x8	
111	0313 0040B	Philips Pan Head Screw - M3x4	

4.REGISTRATION SECTION (A512)

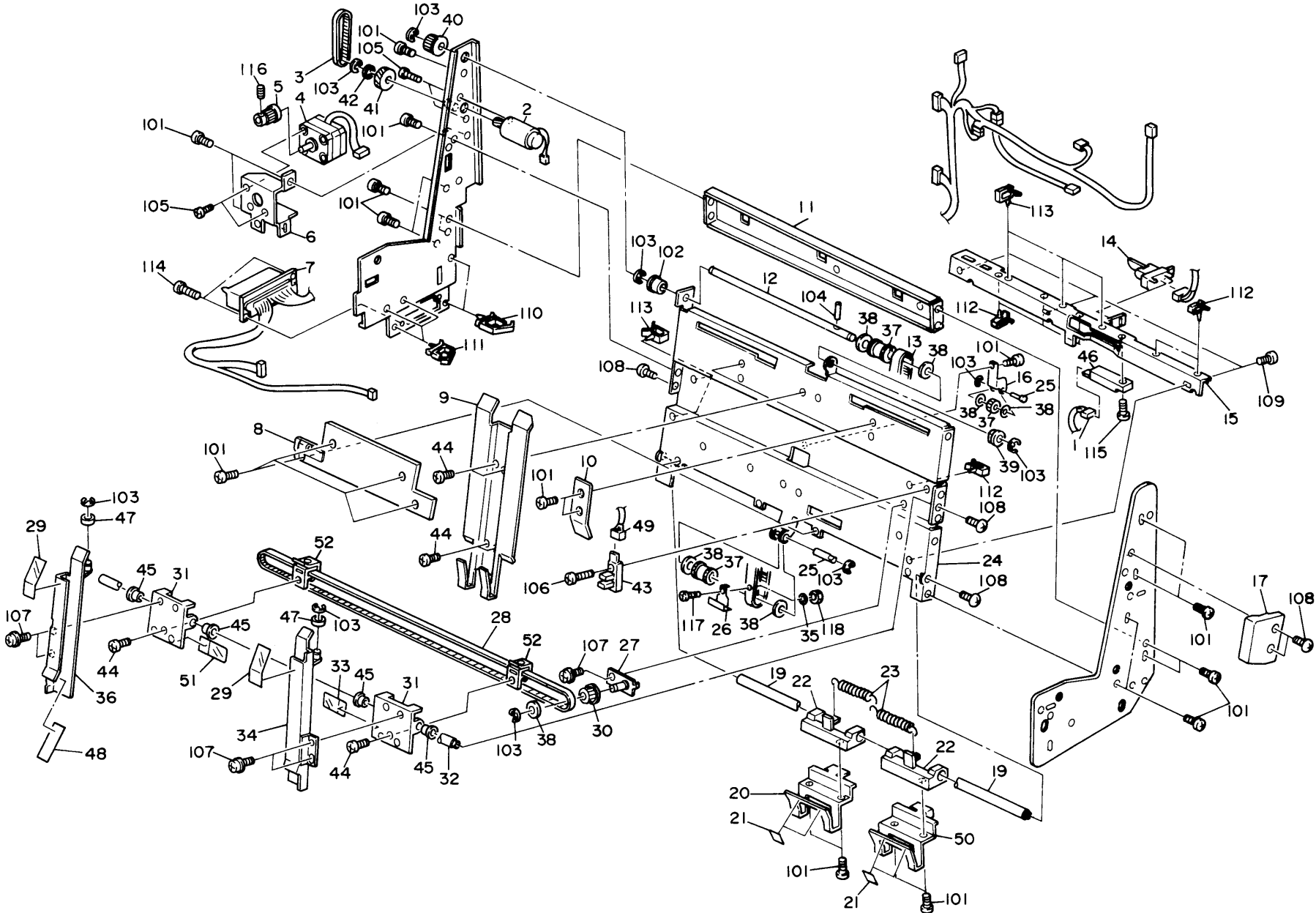


#### 4.REGISTRATION SECTION (A512)

Index No.	Part No.	Description	Q'ty Per Assembly
1	A353 2155	Positioning Roller Shaft	1
2	5206 2671	Positioning Roller	1
3	5919 2132	Positioning Roller Belt	1
4	A353 2151	Positioning Roller Arm	1
5	A353 2157	Prssure Spring	1
6	A353 2156	Positioning Roller Bracker	1
7	A353 2162	Solenoid Bracket	1
8	A353 2160	Positioning Roller Solenoid	1
9	A353 2163	Release Spring	1
10	AB03 0374	Timing Pulley - 20Z	4
11	A353 1142	Main Drive Shaft	2
12	AB03 3043	Timing Pulley - 44/18Z	2
13	A353 1631	Main Tightener	1
14	AA04 3028	Timing Belt - 852P3M6	1
15	A353 1143	Idler Shaft	2
16	AB03 0373	Timing Pulley - 22Z	1
17	AA04 3180	Timing Belt - B60S3M564	1
18	A300 3858	Stepped Screw - M4	1
19	A017 2988	Ring	2
20	A458 3281	Idler Roller	3
21	A353 1651	Lower Tightener	1
22	5442 2117	Shoulder Screw - Hinge	1
23	A458 2251	Cushion - Bin Solenoid Lever	1
24	5447 2681	Snap Ring	1
25	5919 2127	Positioning Roller Pulley	1
26	5053 0447	Bushing - 6mm	3
27	H002 2225	Bushing - Lock Release	1

Index No.	Part No.	Description	Q'ty Per Assembly
101	0951 4006B	Philips Screw With Washer - M4x6	
102	0434 0060B	Pan Head Self Tapping Screw - M4x6	
103	1105 0200	Clamp	
104	0720 0040E	Retaining Ring - M4	
105	0720 0060E	Retaining Ring - M6	
106	0741 3506	Ball Bearing - 6x12x4 mm	
107	0313 0040B	Philips Pan Head Screw - M3x4	

5. TRANSPORT SECTION (A512)

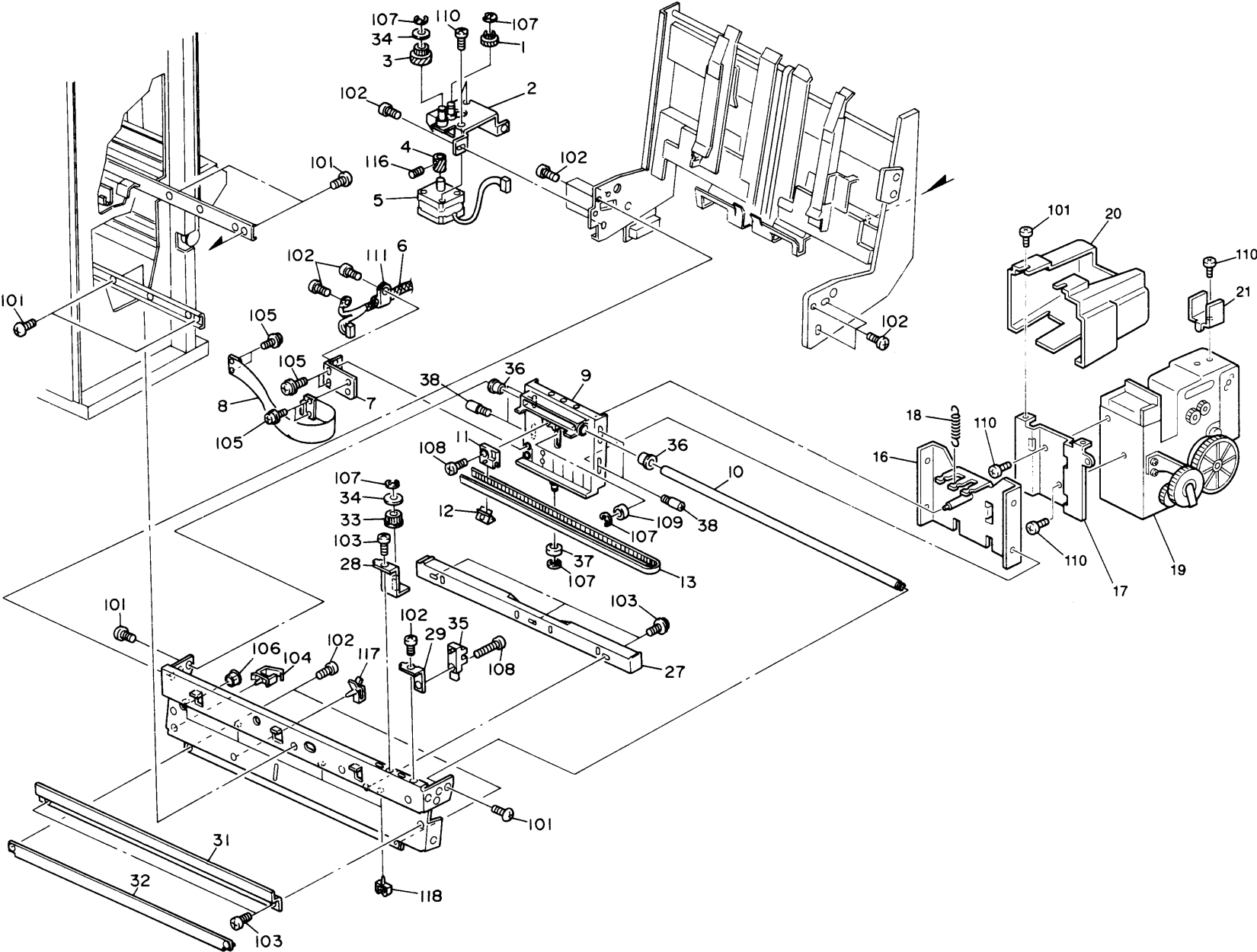


## 5.TRANSPORT SECTION (A512)

Index No.	Part No.	Description	Q'ty Per Assembly
1	A353 5215	Relay Harness - S3	1
2	A409 1234	Exit Motor - DC 9W	1
3	AA04 3104	Timing Belt - 219 P3M4	1
4	AX06 0066	Stepping Motor - DC 4W	1
5	AB03 0382	Timing Pulley - 24Z	1
6	A353 2622	Jogger Motor Bracket	1
7	A593 5210	Stapler Tray Harness	1
8	A353 2773	Lower Positioning Guide	1
9	A353 2771	Positioning Guide Plate	1
10	A353 2774	Upper Positioning Guide	2
11	A353 2637	Slide Rail Stay	1
12	A353 2795	Exit Drive Shaft	1
13	A353 2764	Timing Belt - 2X710	1
14	AW02 0049	Photointerruptor - OS - 580213-703	1
15	A353 2772	Positioning Sensor Bracket	1
16	A300 3815	Spring Plate	1
17	A300 3551	Grip Stapler Unit	1
19	A353 2741	Guide Rod	1
20	A353 2786	Rear Positioning Fence	1
21	A353 2782	Positioning Fence Seal	4
22	A353 2783	Slide Holder	2
23	A353 2788	Slide Holder Spring	2
24	A353 2705	Transport Base Plate	1
25	A300 3813	Shaft - 6x21.5	2
26	A353 2761	Paper Exit Pawl	1
27	A353 2751	Idler Bracket	1
28	A353 2790	Jogger Timing Belt Ass'y	1
29	A353 2716	Jogger Fence Seal	2
30	AB03 0227	Pulley - 32Z	1
31	A353 2731	Jogger Fence Slider	2
32	A353 2741	Guide Rod	1
33	A353 2737	Front Slider Seal	1
34	A353 2711	Front Jogger Fence	1
35	A353 2763	Washer - M5	1
36	A353 2721	Rear Jogger Fence	1

Index No.	Part No.	Description	Q'ty Per Assembly
37	AB03 0229	Timing Pulley - 20Z	3
38	A300 3812	Spacer - 6x22x1.5	6
39	5053 0447	Bushing - 6mm	1
40	AB03 0030	Pulley - 17Z	1
41	AB01 0055	Gear - 46Z/13Z	1
42	A300 3822	Spacer - 11x15x1	1
43	AW02 0041	Photointerruptor	1
44	5875 2088	Shoulder Screw - M4	5
45	A353 2732	Bushing - 8x10x9.5mm	4
46	A010 5700	Sensor	1
47	A353 3291	Lift Guide Roller	2
48	A353 2717	Mylar - 29x29x0.3	1
49	A353 5216	Relay Harness S10	74
50	A353 2781	Front Positioning Fence	1
51	A353 2738	Rear Slider Seal	1
52	A300 3635	Belt Clamp	2
101	0434 0060B	Pan Head Self Tapping Screw - M4x6	
102	0741 3506	Ball Bearing - 6x12x4 mm	
103	0720 0040E	Retaining Ring - M4	
104	0632 0120G	Parallel Pin - 2x12	
105	0313 0040B	Philips Pan Head Screw - M3x4	
106	0314 0100B	Philips Pan Head Screw - M4x10	
107	0951 4006B	Philips Screw With Washer - M4x6	
108	0344 0060F	Philips Truss Head Screw - M4x6	
109	0314 0040B	Philips Pan Head Screw - M4x4	
110	1105 0291	Wire Saddle	
111	1105 0310	Wire Clamp	
112	1105 0283	Clamp	
113	1105 0200	Clamp	
114	0313 0060B	Philips Pan Head Screw - M3x6	
115	0313 0100B	Philips Pan Head Screw - M3x10	
116	0574 0040E	Hexagon Headless Set Screw - M4x4	
117	0242 0040Z	Pan Head Screw - M2x4	
118	0710 0020W	Hexagonal Nut - M2	

6.STAPLE UNIT (A512)



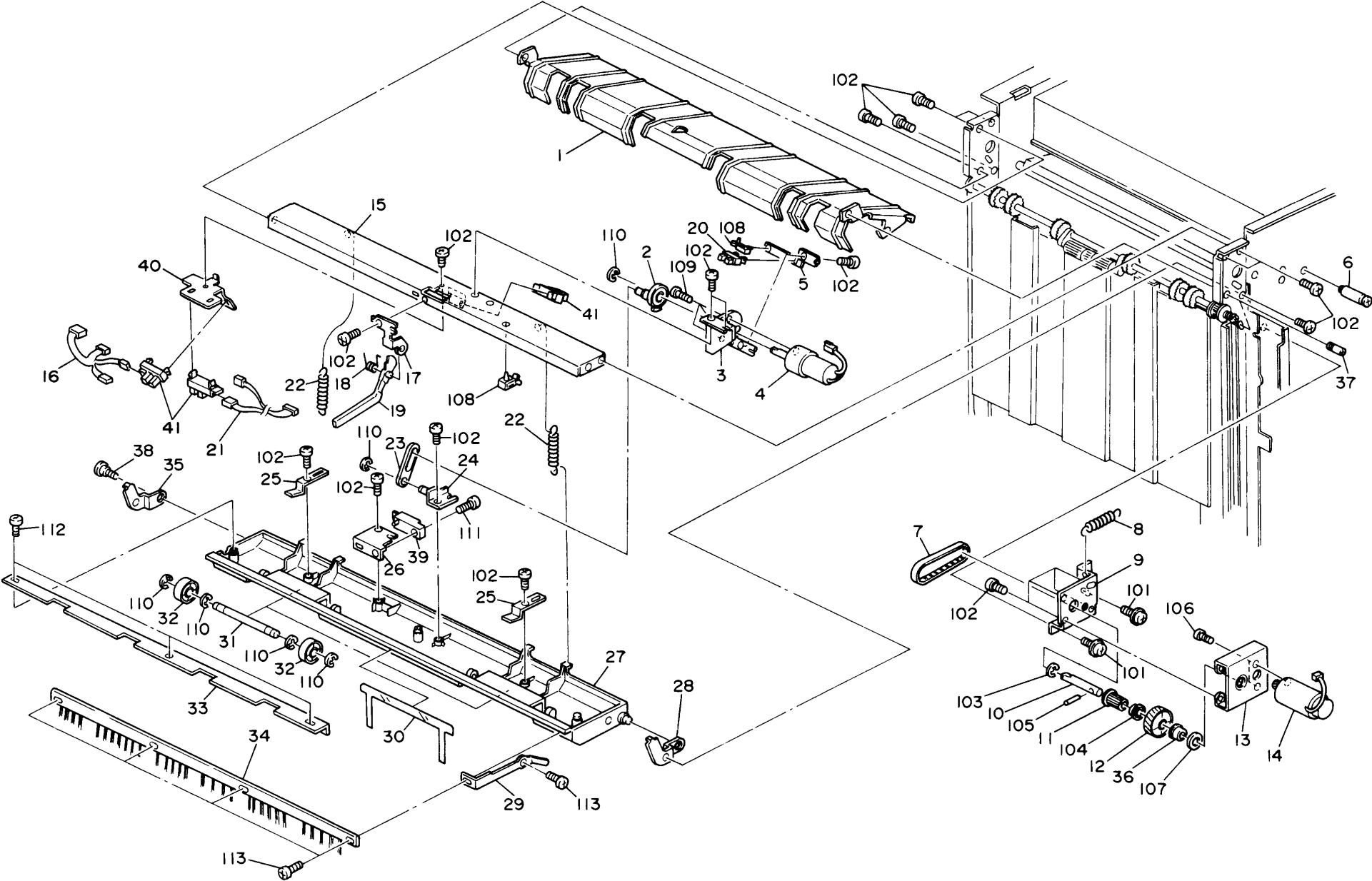


## 6.STAPLE UNIT (A512)

Index No.	Part No.	Description	Q'ty Per Assembly
1	AB01 1085	Gear -14z/31z	1
2	A353 2621	Stapler Motor Bracket	1
3	AB03 3028	Pulley - 32Z/31Z	1
4	AB01 1141	Gear - 14Z	1
5	AX06 0066	Stepping Motor - DC 4W	1
6	A593 5260	Relay Harness	1
7	A353 2833	Grounding Plate	1
8	A593 5300	Stapler Harness	1
9	A353 2831	Stapler Slide Holder	1
10	A353 2812	Guide Rod	1
11	A353 2821	Belt Clamp	1
12	A300 3634	Spring Plate - Timing Belt	1
13	AA04 3179	Timing Belt - 1182P2M4	1
16	A593 2911	Stapler Slide Bracket	1
17	A593 2914	Stapler Bracket	1
18	A353 2851	Return Spring	1
19	AJ01 1010	Stapler - EH-560	1
20	A593 2916	Stapler Cover	1
21	A593 2915	Slide Endfence Lever	1
27	A353 2811	Stapler Guide Rail	1
28	A353 2815	Idler Bracket	1
29	A353 2813	Stapler HP Sensor Bracket	1
31	A353 2817	Harness Cover	1
32	A353 2825	Stapler Slide Guide	1
33	AB03 0227	Pulley - 32Z	1
34	A300 3812	Spacer - 6x22x1.5	2
35	AW02 0041	Photointerruptor	1
36	A353 2832	Bushing - 10x12x8.5mm	2
37	5446 1687	Lower Roller - Scanner Guide	1
38	5206 2687	Stud Screw - M3	2

Index No.	Part No.	Description	Q'ty Per Assembly
101	0344 0060F	Philips Truss Head Screw - M4x6	
102	0434 0060B	Pan Head Self Tapping Screw - M4x6	
103	0951 4006B	Philips Screw With Washer - M4x6	
104	1105 0283	Clamp	
105	0951 3006B	Philips Screw With Flat Washer - M3x6	
106	1106 0193	Bushing - 7.9mm	
107	0720 0040E	Retaining Ring - M4	
108	0314 0100B	Philips Pan Head Screw - M4x10	
109	0740 3905	Bushing 5x13x4mm	
110	0313 0040B	Philips Pan Head Screw - M3x4	
111	1105 0375	Clamp	
116	0574 0040E	Hexagon Headless Set Screw - M4x4	
117	1105 0200	Clamp	
118	1105 0193	Nylon Stud	

7.PAPER EXTI SECTION (A512)



## 7.PAPER EXTI SECTION (A512)

Index No.	Part No.	Description	Q'ty Per Assembly
1	A353 3421	Lower Exit Guide Plate	1
2	A353 3381	Exit Guide Pulley	1
3	A353 3391	Motor Bracket	1
4	AX05 0055	DC Motor - DC 9W	1
5	A353 3392	Lower Sensor Bracket	1
6	5403 1910	Spring Anchor - Stopper Lever	1
7	AA04 3182	Timing Belt - 180P2M6	1
8	AA06 0092	Release Spring	1
9	A353 3313	Shift Drive Shaft Holder	1
10	A409 1195	Exit Drive Shaft	1
11	AB03 0380	Timing Pulley - 15Z	1
12	AB01 0083	Gear - 62Z	1
13	A353 3312	Motor Bracket	1
14	A409 1234	Exit Motor - DC 9W	1
15	A353 3180	Upper Exit Stay	1
16	A353 5225	Relay Harness - S4	1
17	A353 3172	Actuator Bracket	1
18	A353 3173	Pressure Spring	1
19	A379 1225	Upper Sensor Actuator	1
20	AW02 0021	Photointerruptor - 175487-3	1
21	A353 5226	Relay Harness - S7	1
22	A353 3405	Pressure Spring	2
23	A353 3403	Driven Roller Link	1
24	A353 3361	Exit Guide Bracket	1
25	A353 3354	Driven Roller Holder	2
26	A353 3371	Exit Sensor Bracket	1
27	A353 3352	Upper Exit Guide	1
28	A353 3402	Driven Roller Rear Bracket	1
29	A353 3374	Leaf Spring	1
30	A353 3372	Release Guide Mylar	1
31	A353 3353	Driven Roller Shaft	2
32	A353 3351	Exit Driven Roller	4
33	A353 3375	Upper Guide Support Plate	1
34	A353 3373	Antistatic Brush	1
35	A353 3401	Driven Roller Front Bracket	1

Index No.	Part No.	Description	Q'ty Per Assembly
36	A409 1197	Spacer - 10x16x1.6mm	1
37	5410 1291	Return Lever Pin	1
38	5442 2117	Shoulder Screw - Hinge	1
39	A010 5700	Sensor	1
40	A353 3181	Exit Sensor Bracket	1
41	AW02 0006	Photointerruptor - EE-SX460-P2	3
101	0951 4006B	Philips Screw With Washer - M4x6	
102	0434 0060B	Pan Head Self Tapping Screw - M4x6	
103	0720 0030E	Retaining Ring - M3	
104	0742 3905	Ball Bearing - 5 X 13 X 4 mm	
105	0632 0080G	Parallel Key - 2x8mm	
106	0313 0050B	Philips Pan Head Screw - M3x5	
107	0741 3505	Ball Bearing - 5x10x4	
108	1105 0200	Clamp	
109	0313 0040B	Philips Pan Head Screw - M3x4	
110	0720 0040E	Retaining Ring - M4	
111	0313 0100B	Philips Pan Head Screw - M3x10	
112	0414 0082B	Binding Self Tapping Screw - M4x8	
113	0985 3006B	Taping Screw - M3x6	

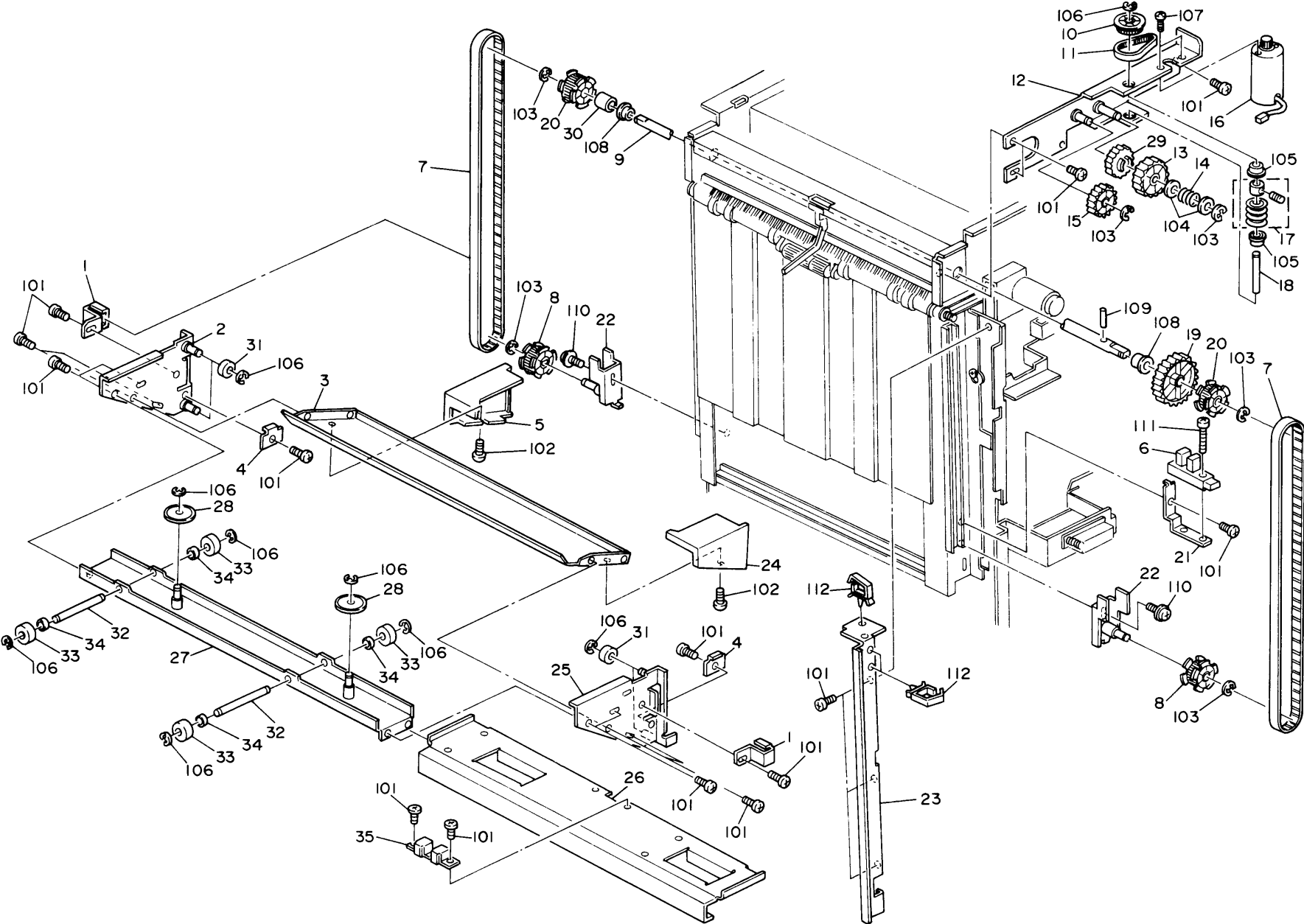


## 8.EXIT TRAY 1 (A512)

Index No.	Part No.	Description	Q'ty Per Assembly
1	A353 3341	Shift Drive Cam	1
2	A353 3432	Front Side Plate	1
3	A353 3193	Exit Roller Shaft	1
4	A353 3201	Exit Roller	6
5	A353 3192	Front Arm	2
6	A353 3191	Reverse Roller	1
7	AB03 0377	Timing Pulley - 28Z	1
8	AA04 3181	Timing Belt - B40S2M80	1
9	A353 3197	Rear Arm	1
10	A353 3453	Exit Roller Cover	1
11	A353 3451	Micro Switch Actuator	1
12	A353 3202	Exit Roller Ring	6
13	A353 3331	Exit Stay	2
14	A353 3345	Shift Drive Motor Bracket	1
15	AX05 0055	DC Motor - DC 9W	1
16	AW02 0049	Photointerruptor - OS - 580213-703	1
17	A593 5257	Shift Sensor Harness	1
18	A353 5235	Shift Relay Harness	1
19	A353 3347	Shift Sensor Bracket	1
20	A353 3442	Rear Side Plate	1
21	A353 3433	Shift Tray Guide	2
22	AB03 0379	Timing Pulley - 30Z	1
23	A300 3826	Pressre Spping	1
24	A470 1703	Shift Clutch	1
25	A353 3211	End Fence	1
26	A353 3411	Lower Exit Stay	1
27	5442 2117	Shoulder Screw - Hinge	2
28	A300 2134	Guide Roller - B	8
29	5875 2088	Shoulder Screw - M4	6
30	5304 1639	Bushing - 8mm	1
31	5410 1291	Return Lever Pin	2
32	A353 3231	Bushing - 4x6x9mm	1
33	AB03 0378	Timing Pulley - 20Z	1
34	C101 1327	Timing Belt - PX146P2M	1
35	A353 3346	Shift Drive Shaft	1

Index No.	Part No.	Description	Q'ty Per Assembly
36	AA13 2024	Spacer - M6	1
37	AB03 0381	Timing Pulley - 26Z	1
38	A353 3454	Micro Switch Bracket	1
101	0434 0060B	Pan Head Self Tapping Screw - M4x6	
102	0720 0040E	Retaining Ring - M4	
103	0742 3808	Ball Bearing - 8x16x5	
104	0720 0060E	Retaining Ring - M6	
105	0951 3006B	Philips Screw With Flat Washer - M3x6	
106	1105 0200	Clamp	
107	1106 0430	Bushing - 13mm	
108	0313 0120B	Philips Pan Head Screw - M3x12	
109	0633 0120G	Parallel Pin - 3x12	
110	0313 0040B	Philips Pan Head Screw - M3x4	
111	1204 1081	Microswitch	

9.EXIT TRAY 2 (A512)

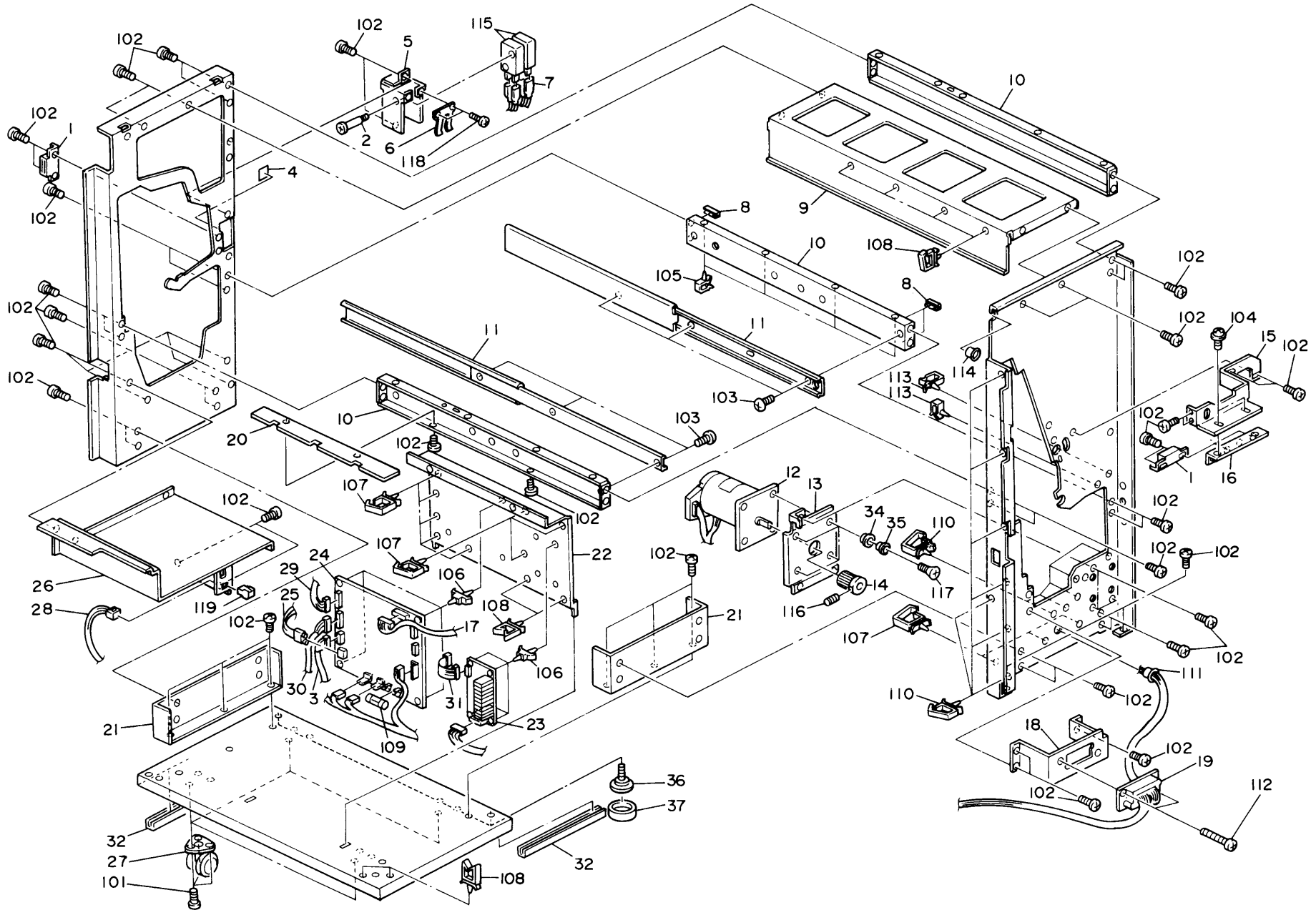


## 9.EXIT TRAY 2 (A512)

Index No.	Part No.	Description	Q'ty Per Assembly
1	A353 3134	Timing Belt Guide Plate	2
2	A353 3281	Front Side Plate	1
3	A353 3303	Shift Tray Support Plate	1
4	A353 3292	Stopper Plate	2
5	A353 4274	Front Tray Cover	1
6	AW02 0012	Photointerruptor	1
7	AA04 3130	Timing Belt - 360T	2
8	AB03 0376	Timing Pulley - 30Z	2
9	A353 3135	Lift Drive Shaft	1
10	AB03 0223	Pulley - 48Z	1
11	AA04 3054	Timing Belt - 142 P2M4	1
12	A353 3121	Lift Drive Motor Bracket	1
13	AB01 3711	Worm Gear - Z44	1
14	A353 3113	Pressure Spring	1
15	AB01 3710	Gear - 40Z	1
16	AX05 0058	DC Motor - 24V 9W	1
17	AB01 3709	Worm Gear	1
18	A300 2726	Worm Gear Shaft	1
19	AB01 3712	Gear - 52Z	1
20	AB03 0375	Timing Pulley - 30Z	2
21	A353 3161	Lower Sensor Bracket	1
22	A353 3151	Tighter Bracket	2
23	A353 1154	Harness Holder Plate	1
24	A353 4284	Rear Tray Cover	1
25	A353 3301	Rear Side Plate	1
26	A353 3251	Shift Tray Holder	1
27	A353 3261	Shift Tray Base	1
28	A300 2133	Guide Roller - A	2
29	AB01 3708	Gear - 18Z	1
30	A353 3136	Spacer - 8x12x14.4	1
31	A353 3291	Lift Guide Roller	4
32	A353 3271	Tray Shift Shaft	2
33	A353 3272	Guide Roller	4
34	A353 3273	Spacer - 6x10x2	4
35	A353 3252	Plate Bracket	1

Index No.	Part No.	Description	Q'ty Per Assembly
101	0434 0060B	Pan Head Self Tapping Screw - M4x6	
102	0344 0060F	Philips Truss Head Screw - M4x6	
103	0720 0060E	Retaining Ring - M6	
104	0807 5056	Washer - 8.1mm	
105	0741 3506	Ball Bearing - 6x12x4 mm	
106	0720 0040E	Retaining Ring - M4	
107	0313 0040B	Philips Pan Head Screw - M3x4	
108	0742 3808	Ball Bearing - 8x16x5	
109	0633 0140G	Parallel Pin - 3x14	
110	0951 4006B	Philips Screw With Washer - M4x6	
111	0313 0100B	Philips Pan Head Screw - M3x10	
112	1105 0310	Wire Clamp	

# 10.ELECTRICAL SECTION (A512)



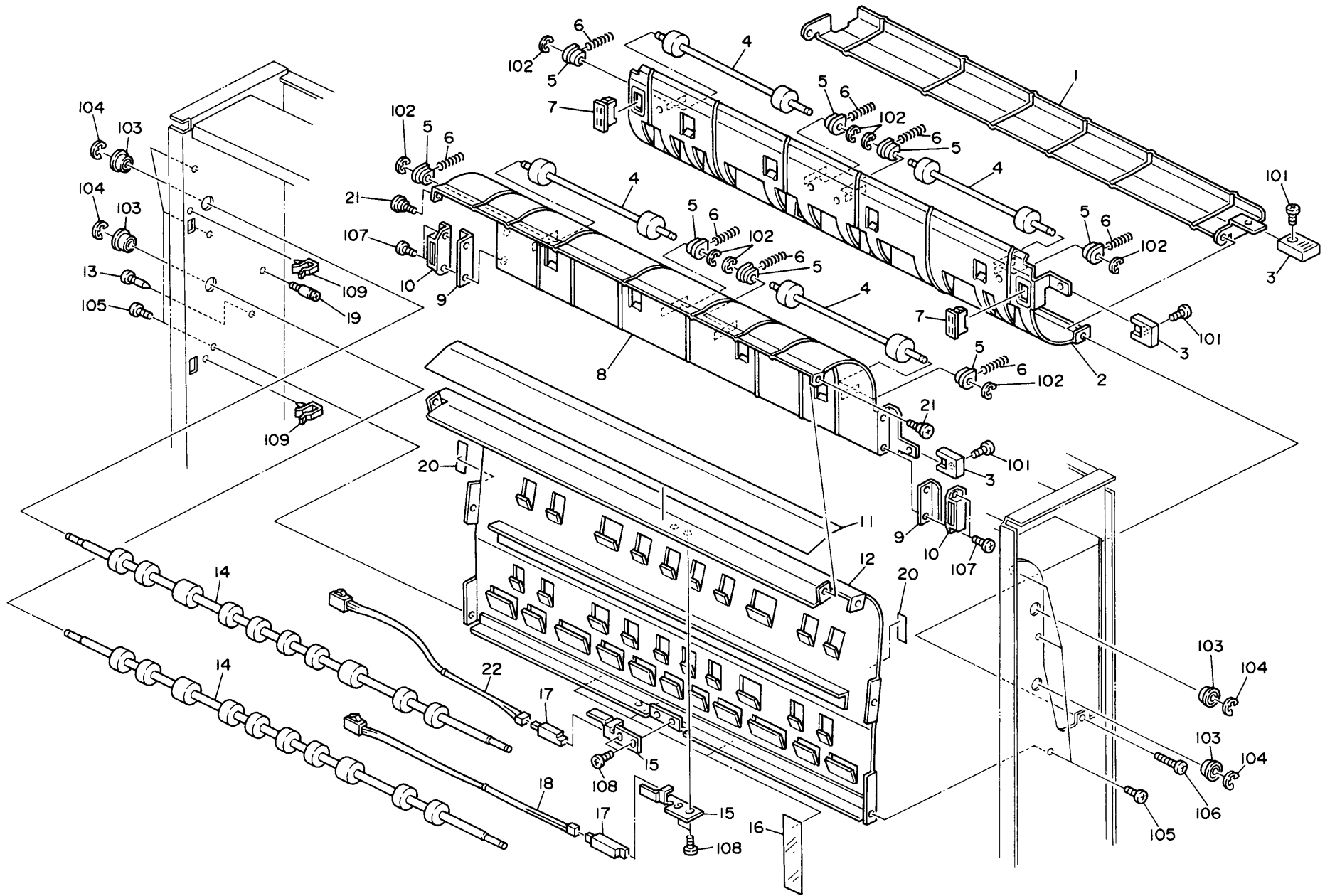


## 10.ELECTRICAL SECTION (A512)

Index No.	Part No.	Description	Q'ty Per Assembly
1	AG07 0004	Magnetic Catch	2
2	A300 3155	Stepped Screw - M25x32	1
3	A593 5240	Solenoid Relay Harness	1
4	A353 2246	Decal - R3	1
5	A300 3153	Safety Switch Bracket	1
6	A300 3154	Spring Plate	1
7	A512 5245	Finisher Relay Harness	1
8	A351 3143	Bushing EO-12N 22mm	3
9	A353 1153	Upper Stay	1
10	A353 1151	Slide Rail Support Plate	3
11	A353 1152	Slide Rail	2
12	AX06 0065	Motor - DC 29W	1
13	A353 1601	Transport Drive Motorbracket	1
14	AB03 0372	Timing Pulley - 20Z	1
15	A353 1156	Joint Mgnetic Bracket	1
16	A353 1158	Upper Magnetic Bracket	1
17	A353 5250	Sensor Relay Harness	1
18	A353 1157	Joint Connector Bracket	1
19	A593 5200	Main Harness	1
20	A353 1159	Support Bracket	1
21	A353 1121	Fixing Plate	2
22	A353 1181	Main Control Board Bracket	1
23	A353 5550	Motor Control Board	1
24	A512 5510	Main Control Board	1
25	AW03 0023	Optical Fiber	1
26	A353 1155	Lower Inner Cover	1
27	AH01 2006	Caster - 50m	4
28	A353 5295	I/F Harness	1
29	A353 5220	Tray Relay Harness	1
30	A353 5230	Motor Relay Harness	1
31	A353 5280	Main Motor Harness	1
32	A353 1192	Bushing - 5x328	2
34	A351 4721	Drive Motor Grommet	4
35	A351 4211	Anti-vibration Collar	4
36	5424 1064	Screw Stand	2

Index No.	Part No.	Description	Q'ty Per Assembly
37	AH01 3008	Leveling Foot Guide	2
101	0315 0080B	Philips Pan Head Screw - M5x8	
102	0434 0060B	Pan Head Self Tapping Screw - M4x6	
103	0344 0060F	Philips Truss Head Screw - M4x6	
104	0951 4006B	Philips Screw With Washer - M4x6	
105	1105 0200	Clamp	
106	1105 0193	Nylon Stud	
107	1105 0291	Wire Saddle	
108	1105 0316	Clamp	
109	1107 0752	Fuse (Glass Case) - 5A - 250V	
110	1105 0310	Wire Clamp	
111	1106 0430	Bushing - 13mm	
112	0353 0080B	Screw - M3X8	
113	1105 0200	Clamp	
114	1106 0193	Bushing - 7.9mm	
115	1204 2188	Interlock Switch	
116	0574 0040E	Hexagon Headless Set Screw - M4x4	
117	0324 0120B	Philips Sunk Screw - M4x12	
118	0313 0040B	Philips Pan Head Screw - M3x4	
119	1102 4052	Optional Connector	

# 11. INVERTER SECTION 1 (A512)

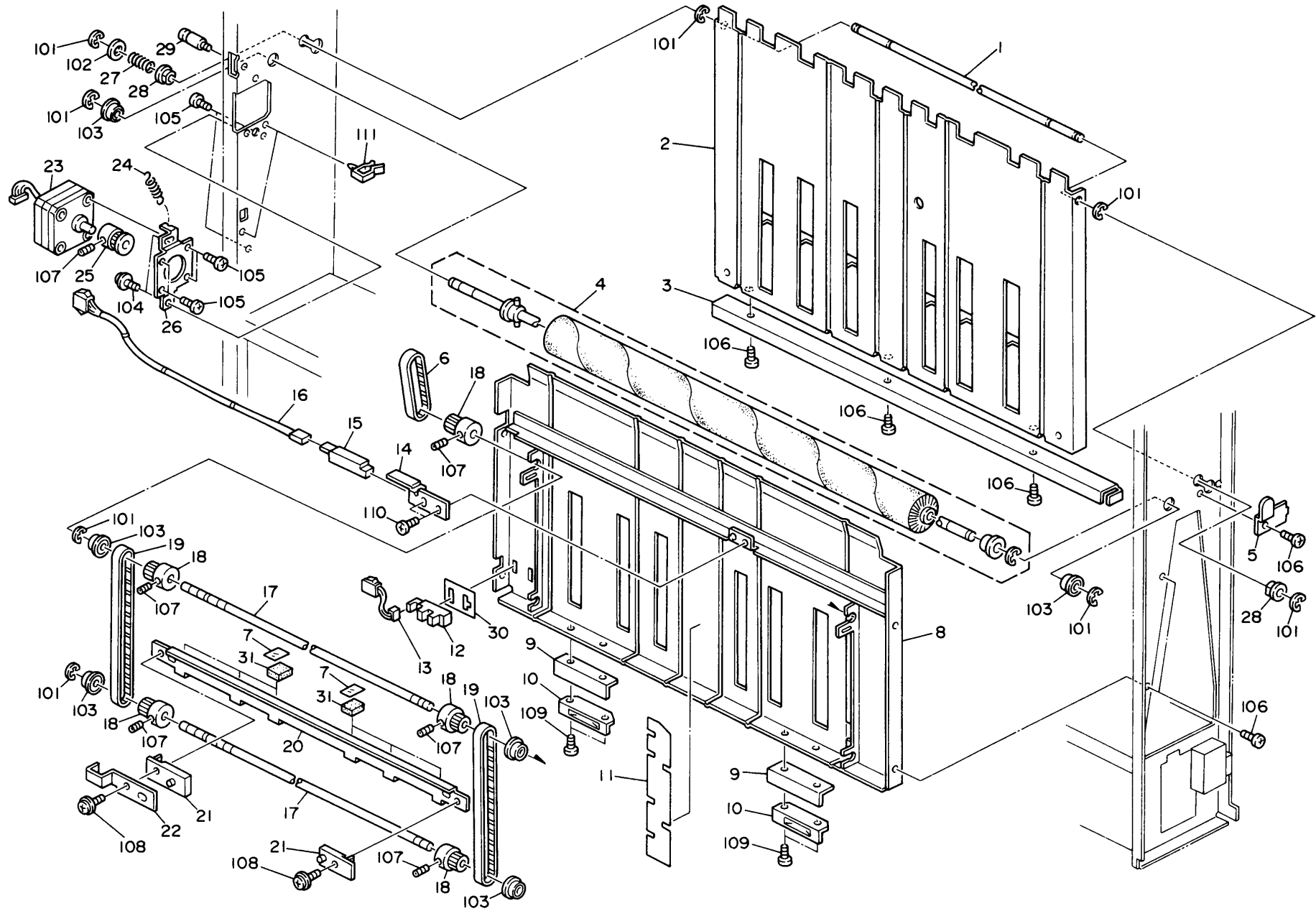


## 11.INVERTER SECTION 1 (A512)

Index No.	Part No.	Description	Q'ty Per Assembly
1	A512 2120	Upper Exit Guide Plate	1
2	A512 2115	Upper Guide Plate	1
3	A353 2243	Lever Knob	3
4	A458 2121	Transport Driven Roller	4
5	A458 2161	Bushing - 6x8x6	8
6	A458 2166	Spring - Driven Roller	8
7	A420 3699	Magnet Catch Ass'y	2
8	A512 2110	Upper Entrance Guide Plate	1
9	A512 2113	Magnet Catch Bracket	2
10	AG07 0004	Magnetic Catch	2
11	A461 2123	Sheet - Lower Guide Plate	1
12	A512 2101	Lower Entrance Guide	1
13	5446 2824	Screw - Duplex Guide Plate	1
14	AF02 0091	Transport Roller - Drive	2
15	A461 2125	Sensor Bracket	2
16	A512 2105	Inverter Entrance Mylar	2
17	A010 5700	Sensor	2
18	A512 5215	Entrance Sensor Harness	1
19	5403 1910	Spring Anchor - Stopper Lever	1
20	A461 2155	Magnet Catch Sheet	2
21	G004 3476	Screw	1
22	A512 5220	Entrance Relay Harness	1

Index No.	Part No.	Description	Q'ty Per Assembly
101	0313 0040B	Philips Pan Head Screw - M3x4	
102	0720 0030E	Retaining Ring - M3	
103	0741 3506	Ball Bearing - 6x12x4 mm	
104	0720 0040E	Retaining Ring - M4	
105	0434 0060B	Pan Head Self Tapping Screw - M4x6	
106	0314 0080B	Philips Pan Head Screw - M4x8	
107	0353 0060B	Philips Pan Head Screw - M3x6	
108	0313 0050W	Philips Pan Head Screw - M3x5	
109	1105 0200	Clamp	

# 12.INVERTER SECTION 2 (A512)

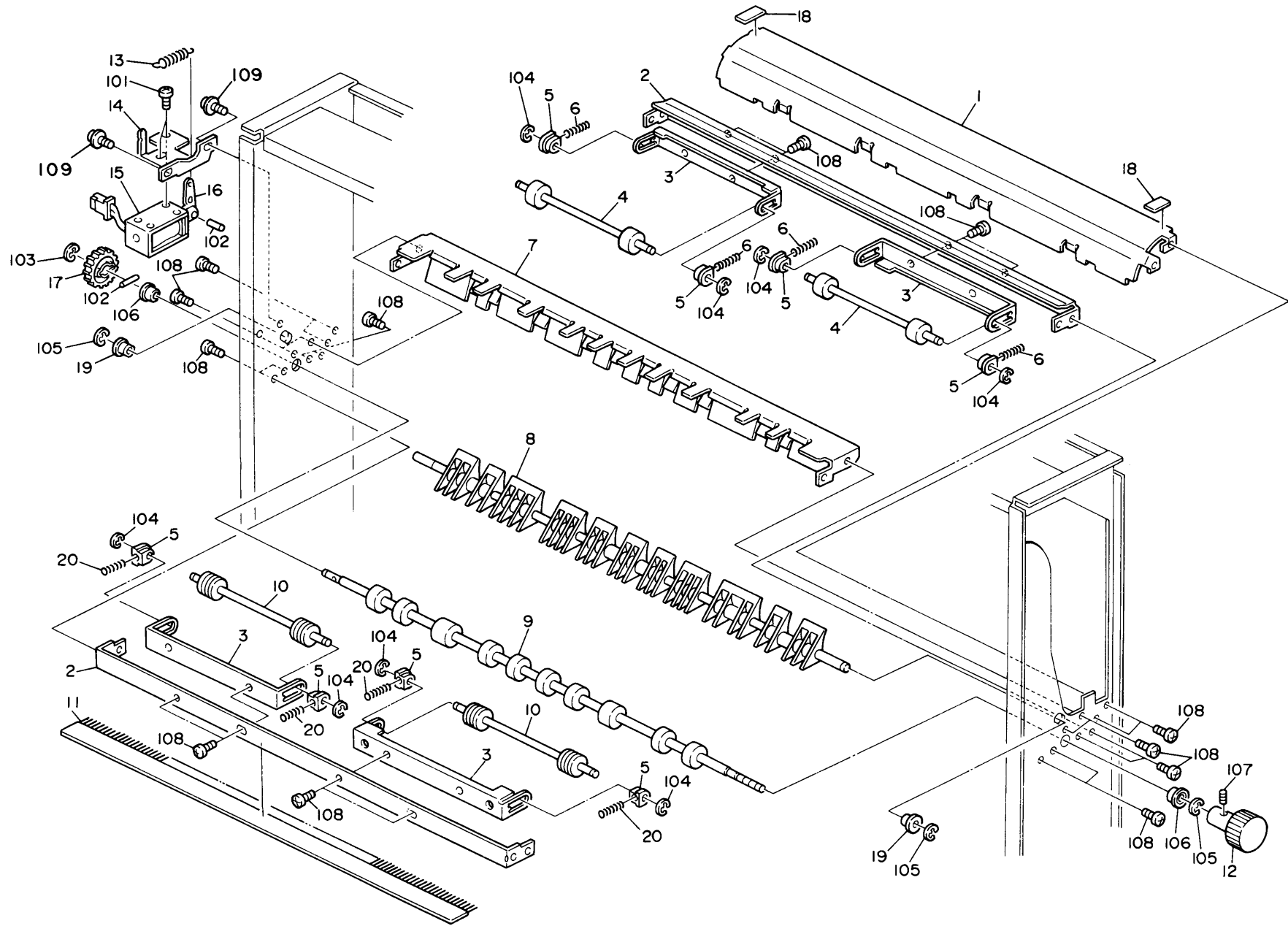


## 12.INVERTER SECTION 2 (A512)

Index No.	Part No.	Description	Q'ty Per Assembly
1	AA14 0185	Shaft	1
2	A461 3111	Upper Guide Plate	1
3	A461 3116	Guide Plate Grip	1
4	A461 3380	Brush Roller	1
5	A512 3101	Front Stopper	1
6	A512 2150	Timing Belt - 150P3M4	1
7	A461 3273	Size Stopper Cushion Sheet	6
8	A461 3211	Lower Guide Plate	1
9	A461 2145	Magnet Catch Bracket	2
10	AG07 0004	Magnetic Catch	2
11	A461 3279	Size Stopper Sheet	1
12	AW02 0001	Photointerruptor	1
13	A512 5230	Home Sensor Harness	1
14	A461 2125	Sensor Bracket	1
15	A010 5700	Sensor	1
16	A512 5225	Relay Harness	1
17	AA14 0186	Drive Shaft - Size Stopper	2
18	AB03 0069	Timing Pulley - 13Z	5
19	AA04 3022	Timing Belt - 420P3M4	2
20	A461 3271	Size Stopper	1
21	A461 3275	Size Stopper Guide	2
22	A461 3276	Shielding Plate - Size Stopper	1
23	AX05 0050	Stepper Motor - DC4V 3.8W	1
24	AA06 0463	Pressure Spring	1
25	A010 3144	Timing Pulley - 12Z	1
26	A512 2145	Jogger Motor Bracket	1
27	5203 2133	Pressure Spring - Transfer Corona	1
28	5053 0447	Bushing - 6mm	2
29	5413 2266	Spring Anchor	1
30	A461 3278	Home Sensor Sheet	1
31	A461 3272	Size Stopper Cushion	2

Index No.	Part No.	Description	Q'ty Per Assembly
101	0720 0040E	Retaining Ring - M4	
102	0701 0060B	Flat Washer - M6	
103	0741 3506	Ball Bearing - 6x12x4 mm	
104	0951 4006B	Philips Screw With Washer - M4x6	
105	0313 0040B	Philips Pan Head Screw - M3x4	
106	0434 0060B	Pan Head Self Tapping Screw - M4x6	
107	0574 0050E	Hexagon Headless Set Screw - M4x5	
108	0951 4008B	Philips Screw With Washer - M4x8	
109	0353 0050B	Philips Truss Head Screw - M3x5	
110	0313 0050W	Philips Pan Head Screw - M3x5	
111	1105 0200	Clamp	

# 13. INVERTER SECTION 3 (A512)

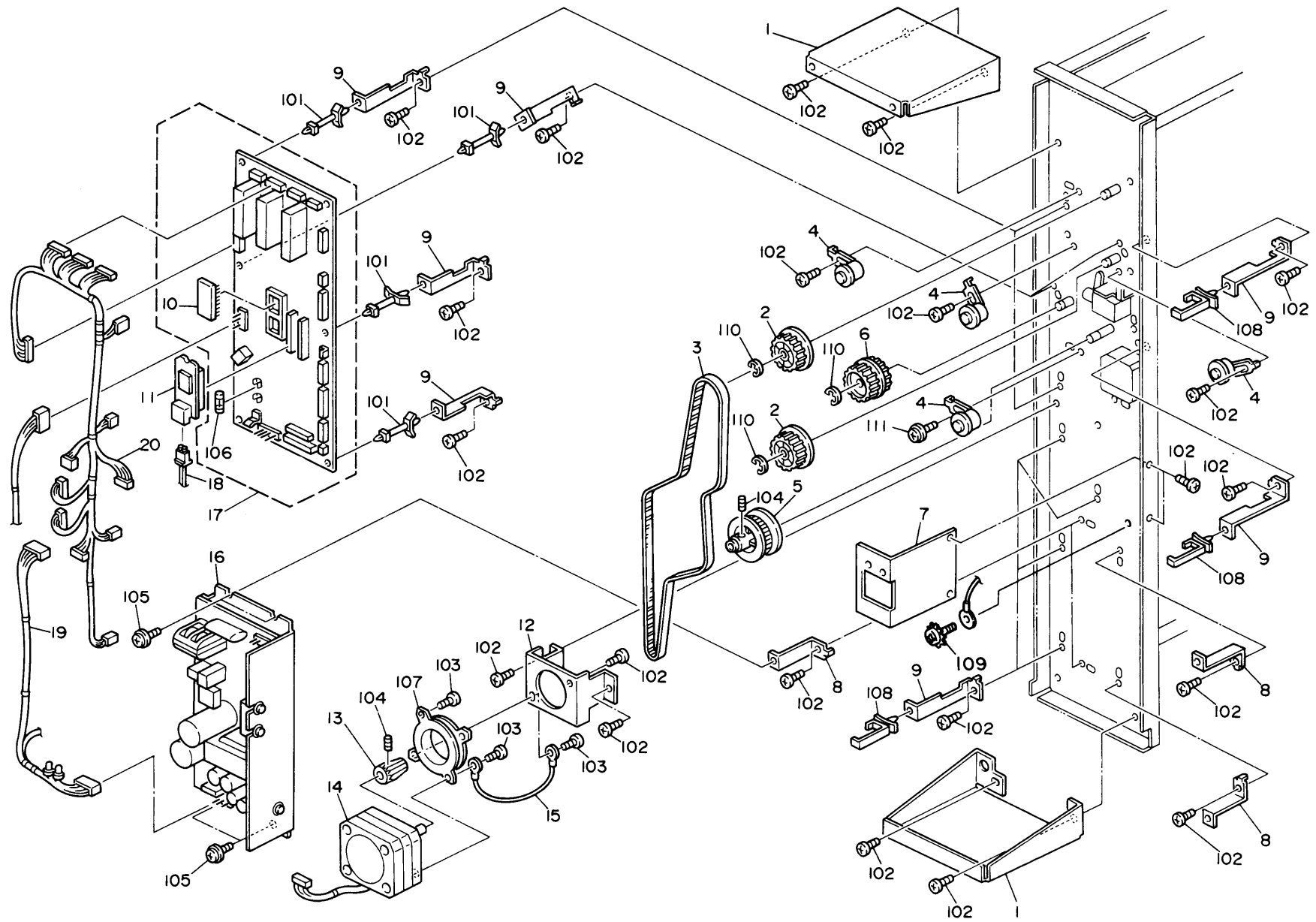


### 13.INVERTER SECTION 3 (A512)

Index No.	Part No.	Description	Q'ty Per Assembly
1	A512 2125	Lower Exit Guide Plate	1
2	A461 3361	Inverter Bracket	2
3	A461 3352	Pressure Plate Bracket	4
4	A458 2121	Transport Driven Roller	1
5	A458 2161	Bushing - 6x8x6	5
6	A458 2166	Spring - Driven Roller	4
7	A512 2130	Middle Guide Plate	1
8	A512 2140	Inverter Junction Pawl	1
9	AF02 0090	Inverter Drive Roller	1
10	A458 2151	Roller	2
11	AA12 0009	Antistatic Brush	1
12	AG05 0023	Inverter Roller Knob	1
13	6769 3132	Spring - Bin Gate	1
14	A512 2135	Junction Solenoid Bracket	1
15	5206 5324	DC Solenoid - DC24V	1
16	A512 2137	Solenoid Link	1
17	AB01 3310	Gear - 25Z	1
18	5204 1899	Cushion	2
19	5053 0447	Bushing - 6mm	2
20	A458 2165	Spring - Driven Roller	4

Index No.	Part No.	Description	Q'ty Per Assembly
101	0313 0050W	Philips Pan Head Screw - M3x5	
102	0623 0120E	Spring Pin - M3x12	
103	0720 0060E	Retaining Ring - M6	
104	0720 0030E	Retaining Ring - M3	
105	0720 0040E	Retaining Ring - M4	
106	0741 3506	Ball Bearing - 6x12x4 mm	
107	0574 0050E	Hexagon Headless Set Screw - M4x5	
108	0434 0060B	Pan Head Self Tapping Screw - M4x6	
109	0951 4008B	Philips Screw With Washer - M4x8	

# 14. INVERTER ELECTRICAL (A512)



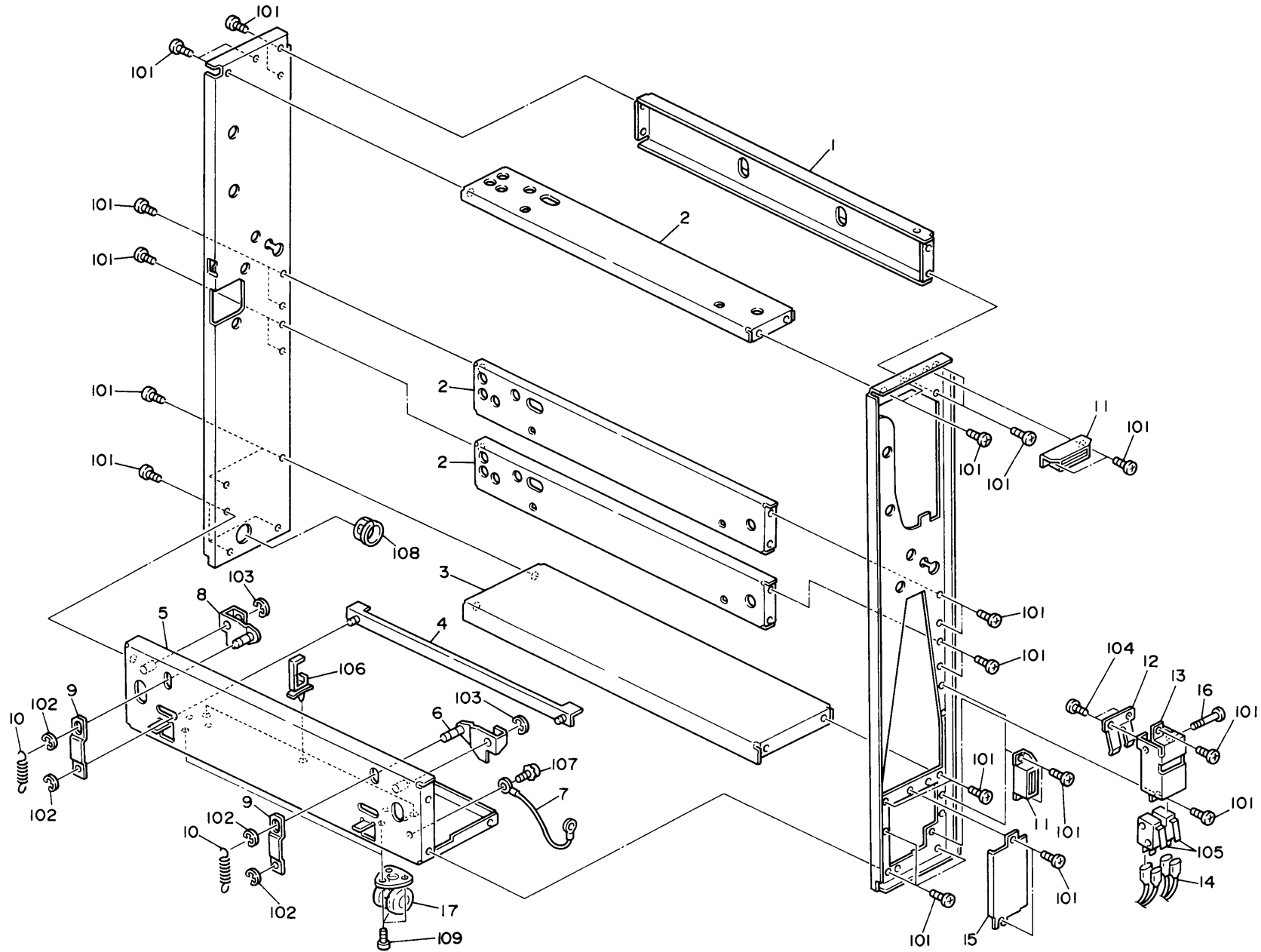


## 14.INVERTER ELECTRICAL (A512)

Index No.	Part No.	Description	Q'ty Per Assembly
1	A461 6241	Bracket - Cover - Rear - Lower	2
2	AB03 0200	Timing Pulley - 31Z	2
3	A512 1610	Timing Belt - 738P3M6	1
4	A512 1630	Tension Roller	4
5	AB03 0072	Pulley - 31Z	1
6	AB01 3311	Gear - 25Z/31Z	1
7	A512 4140	Power Supply Code Bracket	1
8	5442 5839	Angle - Cord Clamp 30	3
9	A300 3151	Support Bracket	7
10	A512 5160	IC - UVEPROM 256K X8 150NS	1
11	A354 5150	Interface Board	1
12	A512 1620	Motor Bracket	1
13	A010 2531	Pulley - 14Z	1
14	AX05 0050	Stepper Motor - DC4V 3.8W	1
15	A354 5230	Grounding Harness	1
16	AZ22 0016	Power Supply Unit	1
17	A512 5520	Main Control Board - Inverter	1
18	A049 5630	Laser Unit Optical Fiber	1
19	A512 5250	DC Harness	1
20	A512 5210	Main Harness	1

Index No.	Part No.	Description	Q'ty Per Assembly
101	1005 0609	Spacer	
102	0434 0060B	Pan Head Self Tapping Screw - M4x6	
103	0313 0040B	Philips Pan Head Screw - M3x4	
104	0574 0040E	Hexagon Headless Set Screw - M4x4	
105	0951 4008B	Philips Screw With Washer - M4x8	
106	1107 0752	Fuse (Glass Case) - 5A - 250V	
107	1005 0933	Cushion - Stepper Motor	
108	1105 0310	Wire Clamp	
109	0954 4008B	Philips Screw - M4x8	
110	0720 0050E	Retaining Ring - M5	
111	0951 4006B	Philips Screw With Washer - M4x6	

# 15. INVERTER FRAME SECTION (A512)



## 15.INVERTER FRAME SECTION (A512)

Index No.	Part No.	Description	Q'ty Per Assembly
1	A512 1125	Inverter Stay	1
2	A461 1132	Inverter Stay	3
3	A512 1130	Middle Stay	1
4	A458 1445	Unlock Plate	1
5	A512 1120	Fixing Bracket	1
6	5896 1165	Joint Stopper	1
7	A354 5230	Grounging Harness	1
8	A458 1443	Fixing Plate	1
9	A458 1448	Joint Link	2
10	5896 1179	Joint Spring	2
11	AG07 0004	Magnetic Catch	3
12	A300 3154	Spring Plate	1
13	A300 3153	Safety Switch Bracket	1
14	A512 5250	DC Harness	1
15	A512 4101	Front Inner Cover	1
16	A300 3155	Stepped Screw - M25x32	1
17	AH01 2006	Caster - 50m	2

Index No.	Part No.	Description	Q'ty Per Assembly
101	0434 0060B	Pan Head Self Tapping Screw - M4x6	
102	0720 0060E	Retaining Ring - M6	
103	0720 0040E	Retaining Ring - M4	
104	0313 0040B	Philips Pan Head Screw - M3x4	
105	1204 2188	Interlock Switch	
106	1105 0310	Wire Clamp	
107	0801 1185	Philips Truss Head Screw - M4x8	
108	1106 0459	Bushing - 20.2mm	
109	0315 0080B	Philips Pan Head Screw - M5x8	

# 16.DECAL AND DOCUMENT (A512)

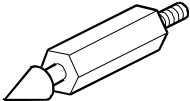
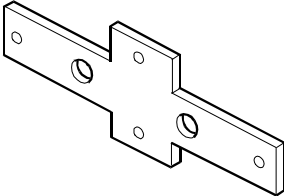
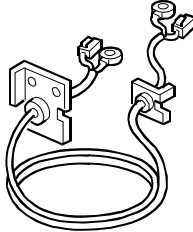
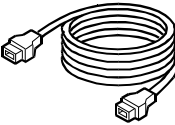
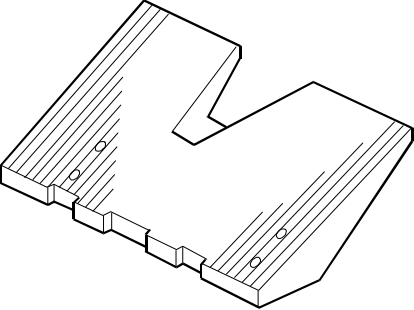

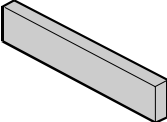
<p><b>1</b></p>	<p><b>2</b></p>	<p><b>4</b></p>	<p><b>6</b></p>
<p><b>3</b></p>	<p><b>5</b></p>	<p><b>7</b></p>	<p><b>8</b></p>

## 16.DECAL AND DOCUMENT (A512)

Index No.	Part No.	Description	Q'ty Per Assembly
1	A512 4911	Decal - Inverter Misfeed	1
2	AA00 1190	Decal - Ground	1
3	A353 2246	Decal - R3	1
4	A353 2255	Decal - R4	1
5	A593 4917	Decal - Misfeed Removal	1
6	A353 2265	Decal - R1	1
7	A353 2275	Decal - R2	1
8	A353 4995	Decal - Staple Position	1

Index No.	Part No.	Description	Q'ty Per Assembly

17.ACCESSORIES (A512)

<p>1</p> 	<p>2</p> 	<p>3</p> 	<p>4</p> 
<p>5</p> 	<p>6</p> 	<p>7</p> 	

## 17.ACCESSORIES (A512)

Index No.	Part No.	Description	Q'ty Per Assembly
1	A461 1211	Stud - Coupling - F5	1
2	A372 6101	LCT Support Plate	1
3	A512 5235	AC Harness	1
4	AW03 0025	Optical Fiber	1
5	A353 3245	Shift Tray	1
6	1105 0373	Nylon Clamp	1
7	A461 6251	Cushion	1

Index No.	Part No.	Description	Q'ty Per Assembly

# **PARTS INDEX**



Part No.	Description	Page and Index No.
A512 1120	Fixing Bracket	35- 5
A512 1125	Inverter Stay	35- 1
A512 1130	Middle Stay	35- 3
A512 1135	Hinge	7- 14
A512 1610	Timing Belt - 738P3M6	33- 3
A512 1620	Motor Bracket	33- 12
A512 1630	Tension Roller	33- 4
A512 2101	Lower Entrance Guide	27- 12
A512 2105	Inverter Entrance Mylar	27- 16
A512 2110	Upper Entrance Guide Plate	27- 8
A512 2113	Magnet Catch Bracket	27- 9
A512 2115	Upper Guide Plate	27- 2
A512 2120	Upper Exit Guide Plate	27- 1
A512 2125	Lower Exit Guide Plate	31- 1
A512 2130	Middle Guide Plate	31- 7
A512 2135	Junction Solenoid Bracket	31- 14
A512 2137	Solenoid Link	31- 16
A512 2140	Inverter Junction Pawl	31- 8
A512 2145	Jogger Motor Bracket	29- 26
A512 2150	Timing Belt - 150P3M4	29- 6
A512 3101	Front Stopper	29- 5
A512 4101	Front Inner Cover	35- 15
A512 4104	Front Inverter Cover	7- 4
A512 4114	Rear Inverter Cover	7- 2
A512 4119	Upper Cover	7- 5
A512 4140	Power Supply Code Bracket	33- 7
A512 4911	Decal - Inverter Misfeed	7- 19
A512 4911	Decal - Inverter Misfeed	37- 1
A512 5160	IC - UVEPROM 256K X8 150NS	33- 10
A512 5210	Main Harness	33- 20
A512 5215	Entrance Sensor Harness	27- 18
A512 5220	Entrance Relay Harness	27- 22
A512 5225	Relay Harness	29- 16
A512 5230	Home Sensor Harness	29- 13
A512 5235	AC Harness	39- 3

Part No.	Description	Page and Index No
A512 5245	Finisher Relay Harness	25- 7
A512 5250	DC Harness	33- 19
A512 5250	DC Harness	35- 14
A512 5510	Main Control Board	25- 24
A512 5520	Main Control Board - Inverter	33- 17

Part No.	Description	Page and Index No.
AA00 1190	Decal - Ground	37- 2
AA04 3022	Timing Belt - 420P3M4	29- 19
AA04 3028	Timing Belt - 852P3M6	13- 14
AA04 3054	Timing Belt - 142 P2M4	23- 11
AA04 3058	Timing Belt - 588PX	9- 25
AA04 3104	Timing Belt - 219 P3M4	15- 3
AA04 3130	Timing Belt - 360T	23- 7
AA04 3179	Timing Belt - 1182P2M4	17- 13
AA04 3180	Timing Belt - B60S3M564	13- 17
AA04 3181	Timing Belt - B40S2M80	21- 8
AA04 3182	Timing Belt - 180P2M6	19- 7
AA06 0092	Release Spring	19- 8
AA06 0463	Pressure Spring	29- 24
AA12 0009	Antistatic Brush	31- 11
AA13 2024	Spacer - M6	21- 36
AA14 0185	Shaft	29- 1
AA14 0186	Drive Shaft - Size Stopper	29- 17
AA14 3215	Screw - M5X6	11- 25
AA14 3215	Screw - M5X6	9- 12
AB01 0055	Gear - 46Z/13Z	15- 41
AB01 0083	Gear - 62Z	19- 12
AB01 1085	Gear -14z/31z	17- 1
AB01 1141	Gear - 14Z	17- 4
AB01 3310	Gear - 25Z	31- 17
AB01 3311	Gear - 25Z/31Z	33- 6
AB01 3708	Gear - 18Z	23- 29
AB01 3709	Worm Gear	23- 17
AB01 3710	Gear - 40Z	23- 15
AB01 3711	Worm Gear - Z44	23- 13
AB01 3712	Gear - 52Z	23- 19
AB03 0030	Pulley - 17Z	15- 40
AB03 0069	Timing Pulley - 13Z	29- 18
AB03 0072	Pulley - 31Z	33- 5
AB03 0200	Timing Pulley - 31Z	33- 2
AB03 0223	Pulley - 48Z	23- 10

Part No.	Description	Page and Index No
AB03 0227	Pulley - 32Z	17- 33
AB03 0227	Pulley - 32Z	15- 30
AB03 0229	Timing Pulley - 20Z	15- 37
AB03 0372	Timing Pulley - 20Z	25- 14
AB03 0373	Timing Pulley - 22Z	13- 16
AB03 0374	Timing Pulley - 20Z	13- 10
AB03 0374	Timing Pulley - 20Z	9- 20
AB03 0375	Timing Pulley - 30Z	23- 20
AB03 0376	Timing Pulley - 30Z	23- 8
AB03 0377	Timing Pulley - 28Z	21- 7
AB03 0378	Timing Pulley - 20Z	21- 33
AB03 0379	Timing Pulley - 30Z	21- 22
AB03 0380	Timing Pulley - 15Z	19- 11
AB03 0381	Timing Pulley - 26Z	21- 37
AB03 0382	Timing Pulley - 24Z	15- 5
AB03 3028	Pulley - 32Z/31Z	17- 3
AB03 3043	Timing Pulley - 44/18Z	13- 12
AF02 0090	Inverter Drive Roller	31- 9
AF02 0091	Transport Roller - Drive	27- 14
AG05 0023	Inverter Roller Knob	31- 12
AG07 0004	Magnetic Catch	29- 10
AG07 0004	Magnetic Catch	9- 6
AG07 0004	Magnetic Catch	35- 11
AG07 0004	Magnetic Catch	25- 1
AG07 0004	Magnetic Catch	27- 10
AH01 2006	Caster - 50m	35- 17
AH01 2006	Caster - 50m	25- 27
AH01 3008	Leveling Foot Guide	25- 37
AJ01 1010	Stapler - EH-560	17- 19
AW01 0027	Photosensor - ON2530 CT	11- 27
AW02 0001	Photointerruptor	29- 12
AW02 0006	Photointerruptor - EE-SX460-P2	19- 41
AW02 0012	Photointerruptor	23- 6
AW02 0021	Photointerruptor - 175487-3	19- 20
AW02 0041	Photointerruptor	15- 43

Part No.	Description	Page and Index No.
AW02 0041	Photointerruptor	17- 35
AW02 0049	Photointerruptor - OS - 580213-703	15- 14
AW02 0049	Photointerruptor - OS - 580213-703	21- 16
AW03 0023	Optical Fiber	25- 25
AW03 0025	Optical Fiber	39- 4
AX05 0050	Stepper Motor - DC4V 3.8W	29- 23
AX05 0050	Stepper Motor - DC4V 3.8W	33- 14
AX05 0055	DC Motor - DC 9W	21- 15
AX05 0055	DC Motor - DC 9W	19- 4
AX05 0058	DC Motor - 24V 9W	23- 16
AX06 0065	Motor - DC 29W	25- 12
AX06 0066	Stepping Motor - DC 4W	17- 5
AX06 0066	Stepping Motor - DC 4W	15- 4
AX12 0027	Solenoid- DC 24V	9- 16
AZ22 0016	Power Supply Unit	33- 16
C101 1327	Timing Belt - PX146P2M	21- 34
G004 3476	Screw	27- 21
H002 2225	Bushing - Lock Release	13- 27

Part No.	Description	Page and Index No
A010 2531	Pulley - 14Z	33- 13
A010 3144	Timing Pulley - 12Z	29- 25
A010 5700	Sensor	19- 39
A010 5700	Sensor	15- 46
A010 5700	Sensor	29- 15
A010 5700	Sensor	27- 17
A010 5700	Sensor	11- 23
A017 2988	Ring	13- 19
A028 7479	Antistatic Brush	11- 16
A049 5630	Laser Unit Optical Fiber	33- 18
A300 2133	Guide Roller - A	23- 28
A300 2134	Guide Roller - B	21- 28
A300 2726	Worm Gear Shaft	23- 18
A300 3151	Support Bracket	33- 9
A300 3153	Safety Switch Bracket	35- 13
A300 3153	Safety Switch Bracket	25- 5
A300 3154	Spring Plate	35- 12
A300 3154	Spring Plate	25- 6
A300 3155	Stepped Screw - M25x32	35- 16
A300 3155	Stepped Screw - M25x32	25- 2
A300 3551	Grip Stapler Unit	15- 17
A300 3634	Spring Plate - Timing Belt	17- 12
A300 3635	Belt Clamp	15- 52
A300 3812	Spacer - 6x22x1.5	15- 38
A300 3812	Spacer - 6x22x1.5	17- 34
A300 3813	Shaft - 6x21.5	15- 25
A300 3815	Spring Plate	15- 16
A300 3822	Spacer - 11x15x1	15- 42
A300 3826	Pressre Sping	21- 23
A300 3858	Stepped Screw - M4	13- 18
A351 3143	Bushing EO-12N 22mm	25- 8
A351 4211	Anti-vibration Collar	25- 35
A351 4721	Drive Motor Grommet	25- 34
A353 1121	Fixing Plate	25- 21
A353 1142	Main Drive Shaft	13- 11

Part No.	Description	Page and Index No.
A353 1143	Idler Shaft	13- 15
A353 1151	Slide Rail Support Plate	25- 10
A353 1152	Slide Rail	25- 11
A353 1153	Upper Stay	25- 9
A353 1154	Harness Holder Plate	23- 23
A353 1155	Lower Inner Cover	25- 26
A353 1156	Joint Mgnetic Bracket	25- 15
A353 1157	Joint Connector Bracket	25- 18
A353 1158	Upper Magnetic Bracket	25- 16
A353 1159	Support Bracket	25- 20
A353 1161	Lower Door Bracket	7- 13
A353 1171	Upper Door Bracket	7- 6
A353 1181	Main Control Board Bracket	25- 22
A353 1192	Bushing - 5x328	25- 32
A353 1601	Transport Drive Motorbracket	25- 13
A353 1631	Main Tightener	13- 13
A353 1651	Lower Tightener	9- 21
A353 1651	Lower Tightener	13- 21
A353 2101	Transport Roller	9- 8
A353 2101	Transport Roller	11- 1
A353 2110	Brush Roller Ass'y	11- 30
A353 2111	Exit Roller Shaft	11- 21
A353 2112	Exit Roller	11- 26
A353 2115	Paddle Roller	11- 29
A353 2116	Paddle	11- 10
A353 2121	Alignment Brush Roller - Short	11- 20
A353 2122	Alignment Brush Roller - Long	11- 19
A353 2131	Junction Gate	9- 9
A353 2141	Solenoid Lever	9- 23
A353 2146	Solenoid Bracket	9- 24
A353 2147	Junction Gate Spring	9- 13
A353 2151	Positioning Roller Arm	13- 4
A353 2155	Positioning Roller Shaft	13- 1
A353 2156	Positioning Roller Bracker	13- 6
A353 2157	Prssure Spring	13- 5

Part No.	Description	Page and Index No
A353 2160	Positioning Roller Solenoid	13- 8
A353 2162	Solenoid Bracket	13- 7
A353 2163	Release Spring	13- 9
A353 2201	Lower Paper Guide Plate	11- 4
A353 2211	Middle Guide Plate	11- 8
A353 2212	Sensor Bracket	11- 6
A353 2221	Upper Guide Plate	9- 11
A353 2223	Front Seat	9- 27
A353 2224	Rear Seal	9- 10
A353 2231	Exit Turn Guide Plate	9- 15
A353 2232	Paper Guide Sheet	9- 14
A353 2241	Lower Removal Guide - R3	11- 9
A353 2242	Magnetic Release Lever	11- 13
A353 2243	Lever Knob	27- 3
A353 2243	Lever Knob	11- 11
A353 2244	Support Angle	9- 4
A353 2244	Support Angle	11- 14
A353 2246	Decal - R3	37- 3
A353 2246	Decal - R3	25- 4
A353 2251	Exit Removal Guide - R4	11- 17
A353 2252	Pressure Spring Plate	11- 15
A353 2255	Decal - R4	37- 4
A353 2255	Decal - R4	11- 18
A353 2261	Upper Removal Guide - R1	9- 7
A353 2262	Removal Guide Support Plate	9- 2
A353 2265	Decal - R1	9- 5
A353 2265	Decal - R1	37- 6
A353 2271	Upper Removal Guide - R2	9- 17
A353 2275	Decal - R2	9- 19
A353 2275	Decal - R2	37- 7
A353 2301	Paper Guide Roller	9- 1
A353 2301	Paper Guide Roller	11- 12
A353 2311	Paper Guide Roller	11- 28
A353 2321	Paper Guide Roller	9- 3
A353 2621	Stapler Motor Bracket	17- 2

Part No.	Description	Page and Index No.
A353 2622	Jogger Motor Bracket	15- 6
A353 2637	Slide Rail Stay	15- 11
A353 2705	Transport Base Plate	15- 24
A353 2711	Front Jogger Fence	15- 34
A353 2716	Jogger Fence Seal	15- 29
A353 2717	Mylar - 29x29x0.3	15- 48
A353 2721	Rear Jogger Fence	15- 36
A353 2731	Jogger Fence Slider	15- 31
A353 2732	Bushing - 8x10x9.5mm	15- 45
A353 2737	Front Slider Seal	15- 33
A353 2738	Rear Slider Seal	15- 51
A353 2741	Guide Rod	15- 19
A353 2741	Guide Rod	15- 32
A353 2751	Idler Bracket	15- 27
A353 2761	Paper Exit Pawl	15- 26
A353 2763	Washer - M5	15- 35
A353 2764	Timing Belt - 2X710	15- 13
A353 2771	Positioning Guide Plate	15- 9
A353 2772	Positioning Sensor Bracket	15- 15
A353 2773	Lower Positioning Guide	15- 8
A353 2774	Upper Positioning Guide	15- 10
A353 2781	Front Positioning Fence	15- 50
A353 2782	Positioning Fence Seal	15- 21
A353 2783	Slide Holder	15- 22
A353 2786	Rear Positioning Fence	15- 20
A353 2788	Slide Holder Spring	15- 23
A353 2790	Jogger Timing Belt Ass'y	15- 28
A353 2795	Exit Drive Shaft	15- 12
A353 2811	Stapler Guide Rail	17- 27
A353 2812	Guide Rod	17- 10
A353 2813	Stapler HP Sensor Bracket	17- 29
A353 2815	Idler Bracket	17- 28
A353 2817	Harness Cover	17- 31
A353 2821	Belt Clamp	17- 11
A353 2825	Stapler Slide Guide	17- 32

Part No.	Description	Page and Index No.
A353 2831	Stapler Slide Holder	17- 9
A353 2832	Bushing - 10x12x8.5mm	17- 36
A353 2833	Grounding Plate	17- 7
A353 2851	Return Spring	17- 18
A353 3113	Pressure Spring	23- 14
A353 3121	Lift Drive Motor Bracket	23- 12
A353 3134	Timing Belt Guide Plate	23- 1
A353 3135	Lift Drive Shaft	23- 9
A353 3136	Spacer - 8x12x14.4	23- 30
A353 3151	Tighter Bracket	23- 22
A353 3161	Lower Sensor Bracket	23- 21
A353 3172	Actuator Bracket	19- 17
A353 3173	Pressure Spring	19- 18
A353 3180	Upper Exit Stay	19- 15
A353 3181	Exit Sensor Bracket	19- 40
A353 3191	Reverse Roller	21- 6
A353 3192	Front Arm	21- 5
A353 3193	Exit Roller Shaft	21- 3
A353 3197	Rear Arm	21- 9
A353 3201	Exit Roller	21- 4
A353 3202	Exit Roller Ring	21- 12
A353 3211	End Fence	21- 25
A353 3231	Bushing - 4x6x9mm	21- 32
A353 3245	Shift Tray	39- 5
A353 3245	Shift Tray	7- 7
A353 3251	Shift Tray Holder	23- 26
A353 3252	Plate Bracket	23- 35
A353 3261	Shift Tray Base	23- 27
A353 3271	Tray Shift Shaft	23- 32
A353 3272	Guide Roller	23- 33
A353 3273	Spacer - 6x10x2	23- 34
A353 3281	Front Side Plate	23- 2
A353 3291	Lift Guide Roller	23- 31
A353 3291	Lift Guide Roller	15- 47
A353 3292	Stopper Plate	23- 4

Part No.	Description	Page and Index No.
A353 3301	Rear Side Plate	23- 25
A353 3303	Shift Tray Support Plate	23- 3
A353 3312	Motor Bracket	19- 13
A353 3313	Shift Drive Shaft Holder	19- 9
A353 3331	Exit Stay	21- 13
A353 3341	Shift Drive Cam	21- 1
A353 3345	Shift Drive Motor Bracket	21- 14
A353 3346	Shift Drive Shaft	21- 35
A353 3347	Shift Sensor Bracket	21- 19
A353 3351	Exit Driven Roller	19- 32
A353 3352	Upper Exit Guide	19- 27
A353 3353	Driven Roller Shaft	19- 31
A353 3354	Driven Roller Holder	19- 25
A353 3361	Exit Guide Bracket	19- 24
A353 3371	Exit Sensor Bracket	19- 26
A353 3372	Release Guide Mylar	19- 30
A353 3373	Antistatic Brush	19- 34
A353 3374	Leaf Spring	19- 29
A353 3375	Upper Guide Support Plate	19- 33
A353 3381	Exit Guide Pulley	19- 2
A353 3391	Motor Bracket	19- 3
A353 3392	Lower Sensor Bracket	19- 5
A353 3401	Driven Roller Front Bracket	19- 35
A353 3402	Driven Roller Rear Bracket	19- 28
A353 3403	Driven Roller Link	19- 23
A353 3405	Pressure Spring	19- 22
A353 3411	Lower Exit Stay	21- 26
A353 3421	Lower Exit Guide Plate	19- 1
A353 3432	Front Side Plate	21- 2
A353 3433	Shift Tray Guide	21- 21
A353 3442	Rear Side Plate	21- 20
A353 3451	Micro Switch Actuator	21- 11
A353 3453	Exit Roller Cover	21- 10
A353 3454	Micro Switch Bracket	21- 38
A353 4215	Right Lower Cover	7- 8

Part No.	Description	Page and Index No
A353 4225	Right Upper Cover	7- 3
A353 4235	Front Shift Cover	7- 12
A353 4245	Rear Cover	7- 1
A353 4265	Front Door	7- 9
A353 4274	Front Tray Cover	23- 5
A353 4284	Rear Tray Cover	23- 24
A353 4311	Safety Switch Actuator	7- 11
A353 4995	Decal - Staple Position	37- 8
A353 5215	Relay Harness - S3	15- 1
A353 5216	Relay Harness S10	15- 49
A353 5220	Tray Relay Harness	25- 29
A353 5225	Relay Harness - S4	19- 16
A353 5226	Relay Harness - S7	19- 21
A353 5230	Motor Relay Harness	25- 30
A353 5235	Shift Relay Harness	21- 18
A353 5250	Sensor Relay Harness	25- 17
A353 5255	Relay Harness - S1	11- 3
A353 5280	Main Motor Harness	25- 31
A353 5295	I/F Harness	25- 28
A353 5550	Motor Control Board	25- 23
A354 5150	Interface Board	33- 11
A354 5230	Grounding Harness	33- 15
A354 5230	Grounding Harness	35- 7
A372 6101	LCT Support Plate	39- 2
A379 1225	Upper Sensor Actuator	19- 19
A409 1195	Exit Drive Shaft	19- 10
A409 1197	Spacer - 10x16x1.6mm	19- 36
A409 1234	Exit Motor - DC 9W	15- 2
A409 1234	Exit Motor - DC 9W	19- 14
A420 3699	Magnet Catch Ass'y	11- 5
A420 3699	Magnet Catch Ass'y	27- 7
A458 1443	Fixing Plate	35- 8
A458 1445	Unlock Plate	35- 4
A458 1448	Joint Link	35- 9
A458 2121	Transport Driven Roller	31- 4

Part No.	Description	Page and Index No.
A458 2121	Transport Driven Roller	27- 4
A458 2151	Roller	31- 10
A458 2161	Bushing - 6x8x6	31- 5
A458 2161	Bushing - 6x8x6	27- 5
A458 2165	Spring - Driven Roller	31- 20
A458 2166	Spring - Driven Roller	27- 6
A458 2166	Spring - Driven Roller	31- 6
A458 2251	Cushion - Bin Solenoid Lever	9- 18
A458 2251	Cushion - Bin Solenoid Lever	13- 23
A458 3281	Idler Roller	9- 22
A458 3281	Idler Roller	13- 20
A458 4146	Seal - 15x91x1mm	7- 16
A458 4148	Grip - Front Cover	7- 15
A461 1132	Inverter Stay	35- 2
A461 1211	Stud - Coupling - F5	39- 1
A461 2123	Sheet - Lower Guide Plate	27- 11
A461 2125	Sensor Bracket	29- 14
A461 2125	Sensor Bracket	27- 15
A461 2145	Magnet Catch Bracket	29- 9
A461 2155	Magnet Catch Sheet	27- 20
A461 3111	Upper Guide Plate	29- 2
A461 3116	Guide Plate Grip	29- 3
A461 3211	Lower Guide Plate	29- 8
A461 3271	Size Stopper	29- 20
A461 3272	Size Stopper Cushion	29- 31
A461 3273	Size Stopper Cushion Sheet	29- 7
A461 3275	Size Stopper Guide	29- 21
A461 3276	Shielding Plate - Size Stopper	29- 22
A461 3278	Home Sensor Sheet	29- 30
A461 3279	Size Stopper Sheet	29- 11
A461 3352	Pressure Plate Bracket	31- 3
A461 3361	Inverter Bracket	31- 2
A461 3380	Brush Roller	29- 4
A461 6241	Bracket - Cover - Rear - Lower	33- 1
A461 6251	Cushion	7- 17

Part No.	Description	Page and Index No
A461 6251	Cushion	39- 7
A470 1703	Shift Clutch	21- 24
A512 1120	Fixing Bracket	35- 5
A512 1125	Inverter Stay	35- 1
A512 1130	Middle Stay	35- 3
A512 1135	Hinge	7- 14
A512 1610	Timing Belt - 738P3M6	33- 3
A512 1620	Motor Bracket	33- 12
A512 1630	Tension Roller	33- 4
A512 2101	Lower Entrance Guide	27- 12
A512 2105	Inverter Entrance Mylar	27- 16
A512 2110	Upper Entrance Guide Plate	27- 8
A512 2113	Magnet Catch Bracket	27- 9
A512 2115	Upper Guide Plate	27- 2
A512 2120	Upper Exit Guide Plate	27- 1
A512 2125	Lower Exit Guide Plate	31- 1
A512 2130	Middle Guide Plate	31- 7
A512 2135	Junction Solenoid Bracket	31- 14
A512 2137	Solenoid Link	31- 16
A512 2140	Inverter Junction Pawl	31- 8
A512 2145	Jogger Motor Bracket	29- 26
A512 2150	Timing Belt - 150P3M4	29- 6
A512 3101	Front Stopper	29- 5
A512 4101	Front Inner Cover	35- 15
A512 4104	Front Inverter Cover	7- 4
A512 4114	Rear Inverter Cover	7- 2
A512 4119	Upper Cover	7- 5
A512 4140	Power Supply Code Bracket	33- 7
A512 4911	Decal - Inverter Misfeed	7- 19
A512 4911	Decal - Inverter Misfeed	37- 1
A512 5160	IC - UVEPROM 256K X8 150NS	33- 10
A512 5210	Main Harness	33- 20
A512 5215	Entrance Sensor Harness	27- 18
A512 5220	Entrance Relay Harness	27- 22
A512 5225	Relay Harness	29- 16

Part No.	Description	Page and Index No.
A512 5230	Home Sensor Harness	29- 13
A512 5235	AC Harness	39- 3
A512 5245	Finisher Relay Harness	25- 7
A512 5250	DC Harness	33- 19
A512 5250	DC Harness	35- 14
A512 5510	Main Control Board	25- 24
A512 5520	Main Control Board - Inverter	33- 17
A593 2911	Stapler Slide Bracket	17- 16
A593 2914	Stapler Bracket	17- 17
A593 2915	Slide Endfence Lever	17- 21
A593 2916	Stapler Cover	17- 20
A593 4917	Decal - Misfeed Removal	7- 18
A593 4917	Decal - Misfeed Removal	37- 5
A593 5200	Main Harness	25- 19
A593 5210	Stapler Tray Harness	15- 7
A593 5240	Solenoid Relay Harness	25- 3
A593 5256	Joger Sensor Harness	11- 7
A593 5257	Shift Sensor Harness	21- 17
A593 5260	Relay Harness	17- 6
A593 5300	Stapler Harness	17- 8

Part No.	Description	Page and Index No
5053 0447	Bushing - 6mm	13- 26
5053 0447	Bushing - 6mm	29- 28
5053 0447	Bushing - 6mm	11- 24
5053 0447	Bushing - 6mm	31- 19
5053 0447	Bushing - 6mm	15- 39
5203 2133	Pressure Spring - Transfer Corona	29- 27
5204 1899	Cushion	31- 18
5206 2671	Positioning Roller	13- 2
5206 2687	Stud Screw - M3	17- 38
5206 5324	DC Solenoid - DC24V	31- 15
5304 1639	Bushing - 8mm	21- 30
5304 1639	Bushing - 8mm	11- 22
5304 1639	Bushing - 8mm	9- 26
5403 1910	Spring Anchor - Stopper Lever	19- 6
5403 1910	Spring Anchor - Stopper Lever	27- 19
5403 2075	Stepped Screw	11- 2
5403 2075	Stepped Screw	7- 10
5410 1291	Return Lever Pin	19- 37
5410 1291	Return Lever Pin	21- 31
5413 2266	Spring Anchor	29- 29
5424 1064	Screw Stand	25- 36
5442 2117	Shoulder Screw - Hinge	19- 38
5442 2117	Shoulder Screw - Hinge	21- 27
5442 2117	Shoulder Screw - Hinge	13- 22
5442 5839	Angle - Cord Clamp 30	33- 8
5446 1687	Lower Roller - Scanner Guide	17- 37
5446 2824	Screw - Duplex Guide Plate	27- 13
5447 2681	Snap Ring	13- 24
5875 2088	Shoulder Screw - M4	21- 29
5875 2088	Shoulder Screw - M4	15- 44
5896 1165	Joint Stopper	35- 6
5896 1179	Joint Spring	35- 10
5919 2127	Positioning Roller Pulley	13- 25
5919 2132	Positioning Roller Belt	13- 3
6769 3132	Spring - Bin Gate	31- 13



Part No.	Description	Page and Index No.
0242 0040Z	Pan Head Screw - M2x4	15-117
0313 0040B	Philips Pan Head Screw - M3x4	35-104
0313 0040B	Philips Pan Head Screw - M3x4	29-105
0313 0040B	Philips Pan Head Screw - M3x4	13-107
0313 0040B	Philips Pan Head Screw - M3x4	11-111
0313 0040B	Philips Pan Head Screw - M3x4	27-101
0313 0040B	Philips Pan Head Screw - M3x4	17-110
0313 0040B	Philips Pan Head Screw - M3x4	25-118
0313 0040B	Philips Pan Head Screw - M3x4	9-107
0313 0040B	Philips Pan Head Screw - M3x4	15-105
0313 0040B	Philips Pan Head Screw - M3x4	23-107
0313 0040B	Philips Pan Head Screw - M3x4	21-110
0313 0040B	Philips Pan Head Screw - M3x4	33-103
0313 0040B	Philips Pan Head Screw - M3x4	19-109
0313 0050B	Philips Pan Head Screw - M3x5	19-106
0313 0050W	Philips Pan Head Screw - M3x5	29-110
0313 0050W	Philips Pan Head Screw - M3x5	31-101
0313 0050W	Philips Pan Head Screw - M3x5	27-108
0313 0060B	Philips Pan Head Screw - M3x6	11-107
0313 0060B	Philips Pan Head Screw - M3x6	15-114
0313 0100B	Philips Pan Head Screw - M3x10	15-115
0313 0100B	Philips Pan Head Screw - M3x10	11-104
0313 0100B	Philips Pan Head Screw - M3x10	23-111
0313 0100B	Philips Pan Head Screw - M3x10	19-111
0313 0120B	Philips Pan Head Screw - M3x12	21-108
0314 0040B	Philips Pan Head Screw - M4x4	15-109
0314 0040B	Philips Pan Head Screw - M4x4	9-109
0314 0080B	Philips Pan Head Screw - M4x8	27-106
0314 0100B	Philips Pan Head Screw - M4x10	15-106
0314 0100B	Philips Pan Head Screw - M4x10	17-108
0315 0080B	Philips Pan Head Screw - M5x8	35-109
0315 0080B	Philips Pan Head Screw - M5x8	25-101
0324 0120B	Philips Sunk Screw - M4x12	25-117
0344 0060F	Philips Truss Head Screw - M4x6	25-103
0344 0060F	Philips Truss Head Screw - M4x6	15-108

Part No.	Description	Page and Index No
0344 0060F	Philips Truss Head Screw - M4x6	17-101
0344 0060F	Philips Truss Head Screw - M4x6	23-102
0344 0060F	Philips Truss Head Screw - M4x6	7-102
0344 0080F	Philips Truss Head Screw - M4x8	7-104
0353 0050B	Philips Truss Head Screw - M3x5	9-110
0353 0050B	Philips Truss Head Screw - M3x5	29-109
0353 0060B	Philips Pan Head Screw - M3x6	27-107
0353 0080B	Screw - M3X8	25-112
0414 0082B	Binding Self Tapping Screw - M4x8	9-108
0414 0082B	Binding Self Tapping Screw - M4x8	19-112
0414 0082B	Binding Self Tapping Screw - M4x8	11-110
0434 0060B	Pan Head Self Tapping Screw - M4x6	19-102
0434 0060B	Pan Head Self Tapping Screw - M4x6	35-101
0434 0060B	Pan Head Self Tapping Screw - M4x6	11-103
0434 0060B	Pan Head Self Tapping Screw - M4x6	9-103
0434 0060B	Pan Head Self Tapping Screw - M4x6	21-101
0434 0060B	Pan Head Self Tapping Screw - M4x6	25-102
0434 0060B	Pan Head Self Tapping Screw - M4x6	31-108
0434 0060B	Pan Head Self Tapping Screw - M4x6	27-105
0434 0060B	Pan Head Self Tapping Screw - M4x6	17-102
0434 0060B	Pan Head Self Tapping Screw - M4x6	33-102
0434 0060B	Pan Head Self Tapping Screw - M4x6	7-101
0434 0060B	Pan Head Self Tapping Screw - M4x6	13-102
0434 0060B	Pan Head Self Tapping Screw - M4x6	29-106
0434 0060B	Pan Head Self Tapping Screw - M4x6	15-101
0434 0060B	Pan Head Self Tapping Screw - M4x6	23-101
0574 0040E	Hexagon Headless Set Screw - M4x4	15-116
0574 0040E	Hexagon Headless Set Screw - M4x4	17-116
0574 0040E	Hexagon Headless Set Screw - M4x4	33-104
0574 0040E	Hexagon Headless Set Screw - M4x4	25-116
0574 0050E	Hexagon Headless Set Screw - M4x5	29-107
0574 0050E	Hexagon Headless Set Screw - M4x5	31-107
0622 0140E	Spring Hole Pin - 2x14mm	9-106
0623 0120E	Spring Pin - M3x12	31-102
0632 0080G	Parallel Key - 2x8mm	19-105

Part No.	Description	Page and Index No.
0632 0120G	Parallel Pin - 2x12	15-104
0632 0120G	Parallel Pin - 2x12	11-108
0633 0120G	Parallel Pin - 3x12	21-109
0633 0140G	Parallel Pin - 3x14	23-109
0701 0060B	Flat Washer - M6	29-102
0710 0020W	Hexagonal Nut - M2	15-118
0720 0030E	Retaining Ring - M3	19-103
0720 0030E	Retaining Ring - M3	31-104
0720 0030E	Retaining Ring - M3	27-102
0720 0040E	Retaining Ring - M4	23-106
0720 0040E	Retaining Ring - M4	15-103
0720 0040E	Retaining Ring - M4	29-101
0720 0040E	Retaining Ring - M4	13-104
0720 0040E	Retaining Ring - M4	35-103
0720 0040E	Retaining Ring - M4	27-104
0720 0040E	Retaining Ring - M4	21-102
0720 0040E	Retaining Ring - M4	11-106
0720 0040E	Retaining Ring - M4	17-107
0720 0040E	Retaining Ring - M4	9-104
0720 0040E	Retaining Ring - M4	19-110
0720 0040E	Retaining Ring - M4	31-105
0720 0050E	Retaining Ring - M5	33-110
0720 0060E	Retaining Ring - M6	21-104
0720 0060E	Retaining Ring - M6	31-103
0720 0060E	Retaining Ring - M6	11-102
0720 0060E	Retaining Ring - M6	9-102
0720 0060E	Retaining Ring - M6	35-102
0720 0060E	Retaining Ring - M6	13-105
0720 0060E	Retaining Ring - M6	23-103
0740 3905	Bushing 5x13x4mm	17-109
0741 3505	Ball Bearing - 5x10x4	19-107
0741 3506	Ball Bearing - 6x12x4 mm	29-103
0741 3506	Ball Bearing - 6x12x4 mm	27-103
0741 3506	Ball Bearing - 6x12x4 mm	31-106
0741 3506	Ball Bearing - 6x12x4 mm	23-105

Part No.	Description	Page and Index No
0741 3506	Ball Bearing - 6x12x4 mm	15-102
0741 3506	Ball Bearing - 6x12x4 mm	13-106
0742 3808	Ball Bearing - 8x16x5	9-101
0742 3808	Ball Bearing - 8x16x5	23-108
0742 3808	Ball Bearing - 8x16x5	11-101
0742 3808	Ball Bearing - 8x16x5	21-103
0742 3905	Ball Bearing - 5 X 13 X 4 mm	19-104
0801 1185	Philips Truss Head Screw - M4x8	7-105
0801 1185	Philips Truss Head Screw - M4x8	35-107
0807 5056	Washer - 8.1mm	23-104
0951 3006B	Philips Screw With Flat Washer - M3x6	21-105
0951 3006B	Philips Screw With Flat Washer - M3x6	17-105
0951 4006B	Philips Screw With Washer - M4x6	13-101
0951 4006B	Philips Screw With Washer - M4x6	11-109
0951 4006B	Philips Screw With Washer - M4x6	29-104
0951 4006B	Philips Screw With Washer - M4x6	9-105
0951 4006B	Philips Screw With Washer - M4x6	7-103
0951 4006B	Philips Screw With Washer - M4x6	33-111
0951 4006B	Philips Screw With Washer - M4x6	15-107
0951 4006B	Philips Screw With Washer - M4x6	17-103
0951 4006B	Philips Screw With Washer - M4x6	23-110
0951 4006B	Philips Screw With Washer - M4x6	19-101
0951 4006B	Philips Screw With Washer - M4x6	25-104
0951 4008B	Philips Screw With Washer - M4x8	33-105
0951 4008B	Philips Screw With Washer - M4x8	31-109
0951 4008B	Philips Screw With Washer - M4x8	29-108
0954 4008B	Philips Screw - M4x8	33-109
0985 3006B	Taping Screw - M3x6	19-113
1005 0609	Spacer	33-101
1005 0933	Cushion - Stepper Motor	33-107
1102 4052	Optional Connector	25-119
1105 0193	Nylon Stud	17-118
1105 0193	Nylon Stud	25-106
1105 0200	Clamp	21-106
1105 0200	Clamp	25-105

